



300 Series Regulators

325 SERIES

The 325 Series regulators are specifically designed for use with non-corrosive gases in lecture bottles. The incorporation of our smallest CAPSULE® allows excellent pressure regulation over the useful pressure range of a lecture bottle.

- Single Stage
- Chrome-Plated Brass Barstock Body
- 316L Stainless Steel Diaphragm
- Lecture Bottle Regulator



325 3351-170 shown

Typical Applications

- University classrooms
- University laboratories
- Chemical research
- Pharmaceutical manufacturing

Features

- CAPSULE® Seat**
Increased serviceability and life
- 316L Stainless Steel Diaphragm**
No inboard diffusion
- Low Wetted Surface Area**
Minimal purge requirements
- Field-Adjustable Pressure Limit**
Safeguard downstream equipment
- Convolutd Diaphragm**
Smooth pressure changes
- Compact Design**
Easily transported and integrated into systems
- Chrome-Plated Brass Barstock Body**
Smooth surface finish
- Low Droop**
Stable outlet pressure
- 1 1/2" (38mm) Pressure Gauges**
Small envelope

Materials

- Body**
Chrome-plated brass barstock
- Bonnet**
Chrome-plated die-cast zinc
- Seat**
PTFE
- Filter**
10 micron sintered bronze
- Diaphragm**
316L stainless steel
- Internal Seals**
PTFE

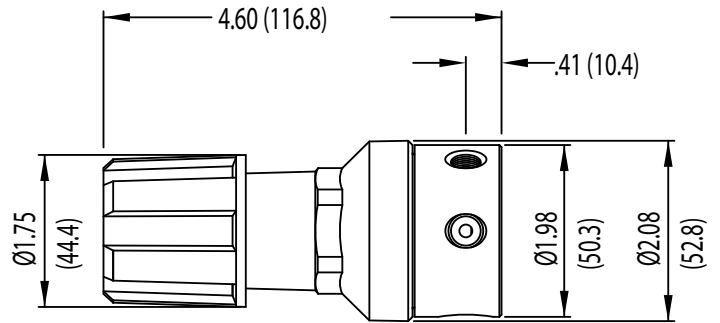
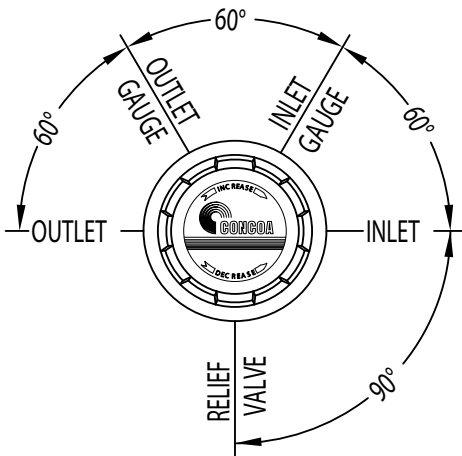
Specifications

- Maximum Inlet Pressure**
3000 PSIG (210 BAR)
- Temperature Range**
-40°F to 140°F (-40°C to 60°C)
- Gauges**
1 1/2" (38mm) diameter
chrome-plated brass case
- Ports**
1/8" FPT (1/4" FPT relief valve)
- Helium Leak Integrity**
1 x 10⁻⁸ scc/sec
- Cv**
0.02
See page 205 for flow curves
- Weight (325 3351-170)**
2.0 lbs. (0.89 kg)

300 Series Regulators



Installation Dimensions



REGULATORS

Ordering Information

325	A	B	C	D	-CON	Options	
Series 325	Outlet Pressure	Outlet Gauge	Inlet Gauge	Outlet Assemblies	Assembly Gauges	Inlet Connections	Installed Options
	1: 0-15 PSIG (0-1 BAR)	0-30 PSIG/ 0-2 BAR	0: None	0: 1/8" FPT port	0: Bare body	-000: 1/8" FPT	None
	3: 0-50 PSIG (0-3.5 BAR)	0-100 PSIG/ 0-7 BAR	3: 0-4000 PSIG/ 0-275 BAR	1: 1/4" MPT 5: Needle valve 1/8" MPT	1: Standard assembly (PSI/kPa gauges)	-110: CGA 110 -170: CGA 170 -180: CGA 180	

Regulator Flow Curves



Flow Curves for 325 Series

