



300 Series Regulators

327 SERIES

The 327 Series regulators are intended for secondary pressure control of non-corrosive, high purity or liquefied gases or as a point-of-use pressure control in high purity gas distribution systems.

- Single Stage
- 316L Stainless Steel Barstock Body
- Four Port Configuration
- Rear Inlet



327 1032-M1L shown

Typical Applications

- Bulk gas distribution systems
- Gas and liquid chromatography
- High purity carrier gases
- Zero, span, and calibration gases
- High purity chamber pressurization
- Liquefied hydrocarbon gas control
- Control of cryogenic gas

Features

- CAPSULE® Seat**
Increased serviceability and life
- 316L Stainless Steel Diaphragm**
No inboard diffusion
- Low Wetted Surface Area**
Minimal purge requirements
- Field-Adjustable Pressure Limit**
Safeguard downstream equipment
- Convolutd Diaphragm**
Smooth pressure changes
- Compact Design**
Easily transported and integrated into systems
- Stainless Steel Barstock Body**
Increased corrosion resistance
- Rear Panel-Mountable**
Easy installation
- Pressure Ranges 0-15 to 0-200 PSIG (0-1 to 0-14 BAR)**
Broad range of applications
- 3000 PSIG (210 BAR) Inlet Pressure Rating**
Safe use with high pressure cylinders

Materials

- Body**
316L stainless steel barstock
- Bonnet**
Chrome-plated die-cast zinc
- Seat**
PTFE
- Filter**
Patented 10 micron 316 mesh
- Diaphragm**
316L stainless steel
- Internal Seals**
PTFE

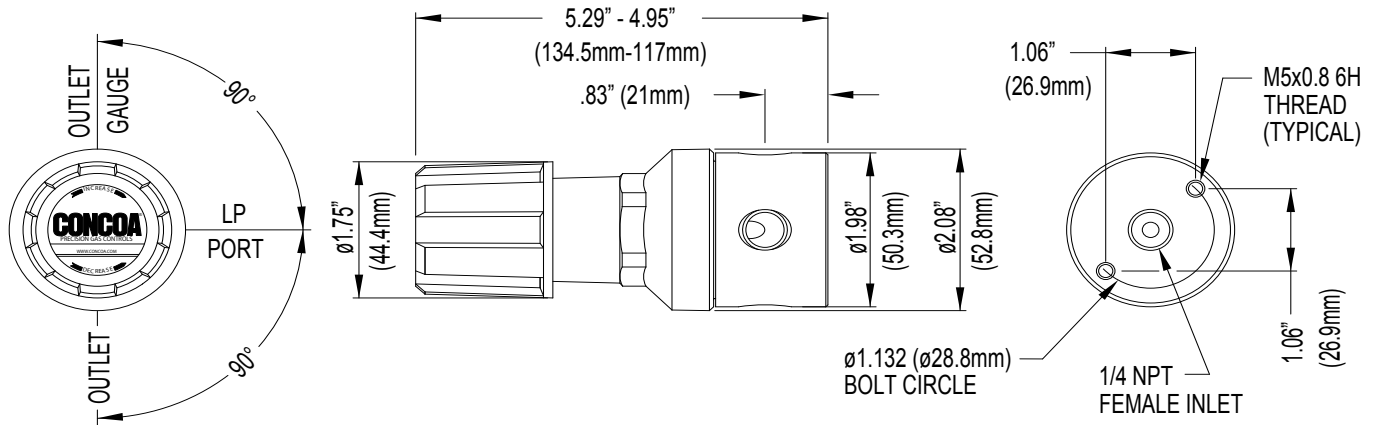
Specifications

- Maximum Inlet Pressure**
3000 PSIG (210 BAR)
- Temperature Range**
-40°F to 140°F (-40°C to 60°C)
- Gauges**
2" (53mm) diameter
Chrome-plated brass case
Stainless steel internals
- Ports**
1/4" FPT
- Helium Leak Integrity**
1 x 10⁻⁸ scc/sec
- Cv**
0.1
See page 202 for flow curves
- Weight (327 1031-M1L)**
2.9 lbs. (1.29 kg)

300 Series Regulators



Installation Dimensions



REGULATORS

Ordering Information

327	A	B	C	D	-CON	Options	
Series 327	Outlet Pressure	Outlet Gauge	Inlet Gauge	Outlet Assemblies	Assembly Gauges	Inlet Connections	Installed Options
	1: 0-15 PSIG (0-1 BAR)	0-30 PSIG/ 0-2 BAR	0: None	0: 1/4" FPT port	0: Bare body	000: 1/4" FPT	None
	2: 0-30 PSIG (0-2 BAR)	0-60 PSIG/ 0-4 BAR		1: 1/4" MPT	1: Standard assembly (PSIG/kPa gauges)	TF2: 1/8" tube	
	3: 0-50 PSIG (0-3.5 BAR)	0-100 PSIG/ 0-7 BAR		2: 1/4" tube fitting	2: Standard assembly (BAR/PSIG gauges)	TF4: 1/4" tube	
	4: 0-150 PSIG (0-10 BAR)	0-200 PSIG/ 0-14 BAR		3: Diaphragm valve 1/4" tube fitting		TF6: 3/8" tube	
	5: 0-100 PSIG (0-7 BAR)	0-200 PSIG/ 0-14 BAR		4: Diaphragm valve 1/4" MPT		M06: 6mm tube	
	6: 0-200 PSIG (0-14 BAR)	0-400 PSIG/ 0-27 BAR		5: Needle valve 1/4" MPT		CGA DIN 477 BS 341 and others available	
				6: 1/8" tube fitting			
				7: 3/8" tube fitting			
				8: Diaphragm valve 1/8" tube fitting			
				9: Diaphragm valve 1/4" FPT			
				M: 6mm tube fitting			
				S: Diaphragm valve 6mm tube fitting			

Related Options

Order No.	Description
835 0204	Rear panel mount kit
476 0002	Helium leak certification



Regulator Flow Curves

Flow Curves for 302, 304, 305, 307, 322, 324, 327, 401, 402, 408, 420, 422, 426, 427, 428, 429 Series

