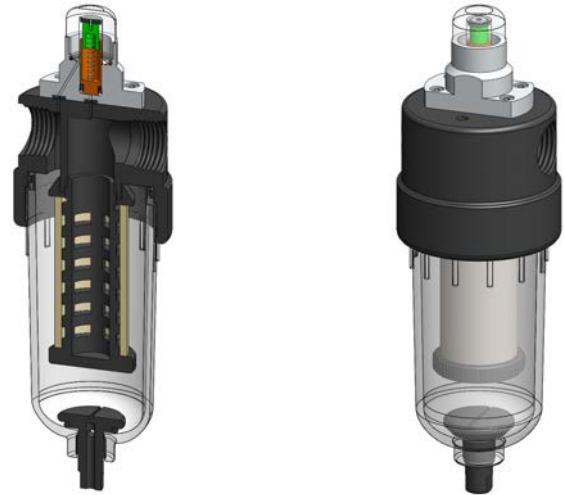


Materials	Aluminium & Polyamide
Pressure	10 Bar
Ports	1/4" or 1/2"
Element	25.64.□

AiN212 series filter housings with differential pressure indicators have an anodised aluminium head with polyamide bowl and internals.

They are supplied with 1/4" or 1/2" ports and have a range of drain options including an automatic version. These housings are suitable for compressed air systems and general filtration applications.

Standard housings have NPT ports and Viton seals. Other seal types are available as an option. BSPT and BSPP port types are also available.



Technical Specifications

Housing Model	AiN212.201	AiN212.221	AiN212.261	AiN212.271	AiN212.401	AiN212.421	AiN212.461	AiN212.471
Port Size	1/4" NPT	1/4" NPT	1/4" NPT	1/4" NPT	1/2" NPT	1/2" NPT	1/2" NPT	1/2" NPT
Drain	None	1/4" NPT	Manual	Automatic	None	1/4" NPT	Manual	Automatic
Maximum Pressure, Bar	10	10	10	10	10	10	10	10
Maximum Temperature, °C	50	50	50	50	50	50	50	50
Materials of Construction (1)								
Head	AL	AL	AL	AL	AL	AL	AL	AL
Bowl & Internals	PA	PA	PA	PA	PA	PA	PA	PA
Seals (2)	Viton	Viton	Viton	Viton	Viton	Viton	Viton	Viton
Filter Element Code (3)	25.64.□	25.64.□	25.64.□	25.64.□	25.64.□	25.64.□	25.64.□	25.64.□
Adsorber Cartridge Code (4)	25.64.AT□	25.64.AT□	25.64.AT□	-	25.64.AT□	25.64.AT□	25.64.AT□	-
Principal Dimensions in mm								
Diameter	62	62	62	62	62	62	62	62
Height	190.5	190.5	202	202	190.5	190.5	202	202
Volume, cc	140	140	140	140	140	140	140	140
Weight, kg	0.3	0.3	0.3	0.3	0.3	0.3	0.3	0.3
Accessories								
Mounting Bracket	MBAiN21	MBAiN21	MBAiN21	MBAiN21	MBAiN21	MBAiN21	MBAiN21	MBAiN21

Notes

(1) Material abbreviations, AL = Aluminium, PA = Polyamide

(2) Add suffix for other seal types, Chemraz = .C, Nitrile = N, Kalrez = .K, EPDM = .E, Silicone = .S, (e.g. AiN212.201.E)

(3) Replace the □ with the grade required, e.g. 25.64.5CK, 25.64.S20V, 25.64.T20

(4) Replace the □ with the type required, e.g. 25.64.AT01. Adsorber cartridges are not suitable for housings with automatic drains