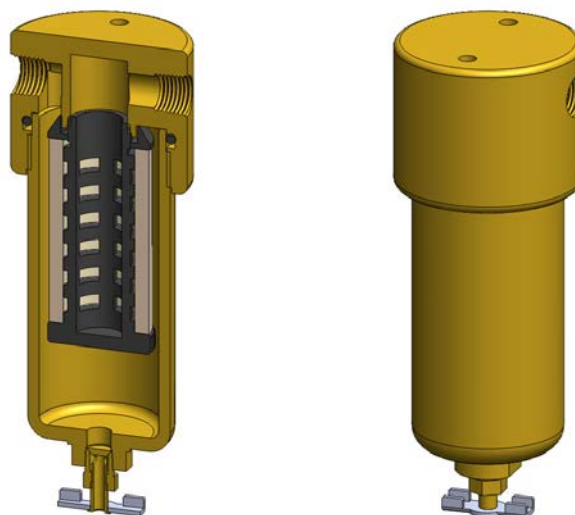


<b>Materials</b>	<b>Brass</b>
<b>Pressure</b>	<b>17 Bar</b>
<b>Ports</b>	<b>1/4" or 1/2"</b>
<b>Element</b>	<b>25.64.□</b>

BB213 series filter housings have a head and bowl machined from solid brass bar with polyamide internals.

They are supplied with 1/4" or 1/2" ports with a range of drain options included a manual twist drain. These housings are suitable for compressed air systems and general filtration applications.

Standard housings have NPT ports and Viton seals. Other seal types are available as an option. BSPT and BSPP port types are also available.



## Technical Specifications

Housing Model	BB213.201	BB213.211	BB213.261	BB213.401	BB213.411	BB213.461
Port Size	1/4" NPT	1/4" NPT	1/4" NPT	1/2" NPT	1/2" NPT	1/2" NPT
Drain	None	1/8" NPT	Manual	None	1/8" NPT	Manual
Maximum Pressure, Bar	17	17	17	17	17	17
Maximum Temperature, °C	120	120	120	120	120	120
<b>Materials of Construction (1)</b>						
Head & Bowl	Brass	Brass	Brass	Brass	Brass	Brass
Internals	PA	PA	PA	PA	PA	PA
Seal (2)	Viton	Viton	Viton	Viton	Viton	Viton
Filter Element Code (3)	25.64.□	25.64.□	25.64.□	25.64.□	25.64.□	25.64.□
Adsorber Cartridge Code (4)	25.64.AT□	25.64.AT□	25.64.AT□	25.64.AT□	25.64.AT□	25.64.AT□
<b>Principal Dimensions in mm</b>						
Diameter	62	62	62	62	62	62
Height	149	149	162	149	149	162
Volume, cc	150	150	150	150	150	150
Weight, kg	1.5	1.5	1.5	1.5	1.5	1.5
<b>Accessories</b>						
Mounting Bracket	MBSS21	MBSS21	MBSS21	MBSS21	MBSS21	MBSS21

### Notes

(1) Material abbreviations, PA = Polyamide

(2) Add suffix for other seal types, Chemraz = .C, Nitrile = N, Kalrez = .K, EPDM = .E, Silicone = .S, (e.g. BB213.201.E)

(3) Replace the □ with the grade required, e.g. 25.64.5CK, 25.64.S20V, 25.64.T20

(4) Replace the □ with the type required, e.g. 25.64.AT01