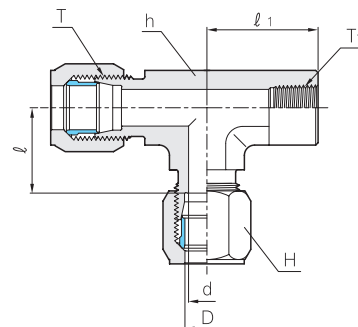
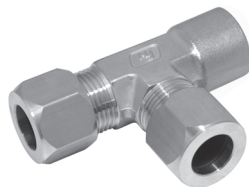


Female Run Tee

BRTF

SAE 080426 MS51822



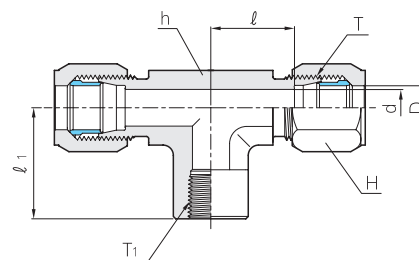
Part No.	Tube O.D D (in)	T Straight Thread Size	T ₁ * NPT Size	d	Width across flat		l	l ₁
					h	H		
BRTF 4T - 01N	1/4	7/16 - 20	1/8	5.2	14.2	14.2	16.6	16.8
BRTF 6T - 02N	3/8	9/16 - 18	1/4	7.0	19.1	17.4	20.4	22.4
BRTF 8T - 03N	1/2	3/4 - 16	3/8	10.7	22.2	22.2	23.5	25.9
BRTF 10T - 04N	5/8	7/8 - 14	1/2	12.7	27.0	25.4	27.2	31.2
BRTF 12T - 06N	3/4	1 1/16 - 12	3/4	16.6	33.3	31.7	31.2	34.5
BRTF 16T - 08N	1	1 5/16 - 12	1	22.2	41.2	38.1	33.4	41.4

* ISO Tapered Threads are available upon request.

Female Branch Tee

BBTF

SAE 080427 MS51821



Part No.	Tube O.D D (in)	T Straight Thread Size	T ₁ * NPT Size	d	Width across flat		l	l ₁
					h	H		
BBTF 4T - 01N	1/4	7/16 - 20	1/8	5.2	14.2	14.2	16.6	16.8
BBTF 4T - 02N	1/4	7/16 - 20	1/4	5.2	19.1	14.2	20.2	22.4
BBTF 6T - 02N	3/8	9/16 - 18	1/4	7.0	19.1	17.4	20.4	22.4
BBTF 8T - 03N	1/2	3/4 - 16	3/8	10.7	22.2	22.2	23.5	25.9
BBTF 10T - 04N	5/8	7/8 - 14	1/2	12.7	27.0	25.4	27.2	31.2
BBTF 12T - 06N	3/4	1 1/16 - 12	3/4	16.6	33.3	31.7	31.2	34.5
BBTF 14T - 06N	7/8	1 3/16 - 12	3/4	18.0	33.3	34.9	32.2	36.1
BBTF 16T - 08N	1	1 5/16 - 12	1	22.2	41.2	38.1	33.4	41.1
BBTF 20T - 10N	1 1/4	1 5/8 - 12	1 1/4	27.8	47.6	50.0	42.3	43.2

* ISO Tapered Threads are available upon request.

All dimensions are in millimeters unless otherwise specified. Dimensions are for reference only, subject to change.