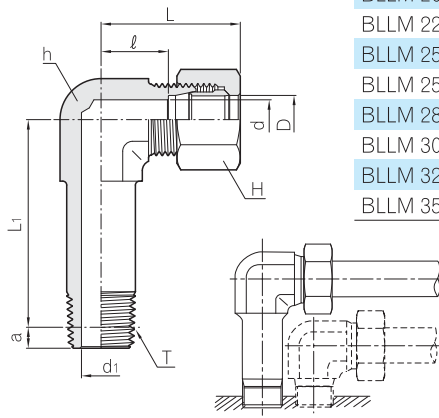


Long Male Elbow

**BLLM**

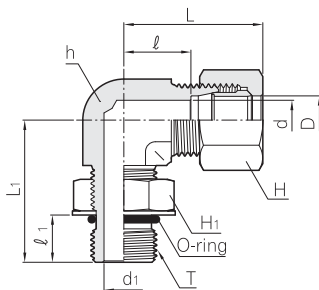


Applied View

Part No.	Tube O.D. D	(PT) T	d	d <sub>1</sub>	Basic gauge length a	Width across flat			ℓ	Approx.	
						h	H	L		L <sub>1</sub>	
BLLM 06 - 01R	6	1/8	4	4	3.97	14	14	13.0	30.5	36.0	
BLLM 08 - 02R	8	1/4	6	7	6.01	17	17	16.0	33.5	43.0	
BLLM 10 - 02R	10	1/4	8	7	6.01	17	19	16.0	34.5	46.0	
BLLM 12 - 02R	12	1/4	10	7	6.01	19	22	17.0	35.5	52.0	
BLLM 12 - 03R	12	3/8	10	9	6.35	19	22	17.0	35.5	53.0	
BLLM 15 - 03R	15	3/8	12	9	6.35	24	27	21.5	41.5	61.5	
BLLM 15 - 04R	15	1/2	12	12	8.16	24	27	21.5	41.5	67.0	
BLLM 16 - 04R	16	1/2	13	12	8.16	27	30	24.5	44.5	70.0	
BLLM 18 - 04R	18	1/2	14	12	8.16	27	32	24.0	44.5	77.0	
BLLM 20 - 06R	20	3/4	17	16	9.53	30	36	25.0	45.5	82.5	
BLLM 22 - 06R	22	3/4	18	16	9.53	32	36	25.0	46.5	83.5	
BLLM 25 - 06R	25	3/4	20	16	9.53	36	41	26.0	49.5	90.5	
BLLM 25 - 08R	25	1	20	22	10.39	36	41	26.0	49.9	91.5	
BLLM 28 - 08R	28	1	22	22	10.39	41	46	31.0	55.0	104.5	
BLLM 30 - 10R	30	1 1/4	25	31	12.70	46	46	36.0	60.5	104.5	
BLLM 32 - 10R	32	1 1/4	26	31	12.70	46	50	35.0	60.5	104.5	
BLLM 35 - 10R	35	1 1/4	28	31	12.70	46	55	35.0	63.5	121.5	

O - Seal Male Elbow

**BOLM**



Part No.	Tube O.D. D	(PF) T	d	d <sub>1</sub>	Width across flat			ℓ <sub>1</sub>	ℓ	Approx.	
					h	H <sub>1</sub>	H			L <sub>1</sub>	L
BOLM 06 - 01G	6	1/8	4	4	14	14	14	10	13.0	30	30.5
BOLM 08 - 02G	8	1/4	6	6	17	19	17	12	16.0	34	33.5
BOLM 10 - 02G	10	1/4	8	6	17	19	19	12	16.0	35	34.5
BOLM 12 - 02G	12	1/4	10	6	19	19	22	12	17.0	36	35.5
BOLM 12 - 03G	12	3/8	10	9	19	22	22	12	17.0	36	35.5
BOLM 12 - 04G	12	1/2	10	12	24	27	22	16	17.0	46	35.5
BOLM 15 - 03G	15	3/8	12	9	24	22	27	12	21.5	40	41.5
BOLM 15 - 04G	15	1/2	12	12	24	27	27	16	21.5	46	41.5
BOLM 16 - 04G	16	1/2	13	12	24	27	30	16	24.5	46	44.5
BOLM 18 - 04G	18	1/2	14	12	30	27	32	16	24.0	52	44.5
BOLM 20 - 06G	20	3/4	17	16	30	36	36	17	25.0	52	45.5
BOLM 22 - 06G	22	3/4	18	16	32	36	36	17	25.0	52	46.5
BOLM 25 - 06G	25	3/4	20	16	36	36	41	17	26.0	60	49.5
BOLM 25 - 08G	25	1	20	22	36	41	41	21	26.0	62	49.5
BOLM 28 - 08G	28	1	22	22	41	41	46	21	31.0	62	55.0
BOLM 30 - 08G	30	1	25	22	41	41	46	21	31.0	66	55.5
BOLM 30 - 10G	30	1 1/4	25	31	46	50	46	21	34.0	66	58.5
BOLM 32 - 10G	32	1 1/4	26	31	46	50	50	21	35.0	66	60.5
BOLM 35 - 10G	35	1 1/4	28	31	46	50	55	21	35.0	66	63.5
BOLM 38 - 12G	38	1 1/2	32	36	50	50	60	21	38.0	73	69.5

All dimensions are in millimeters. Dimensions are for reference only, subject to change.