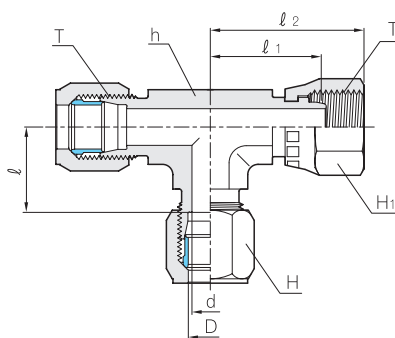


Swivel Run Tee

BSRT

SAE 080432 MS51854



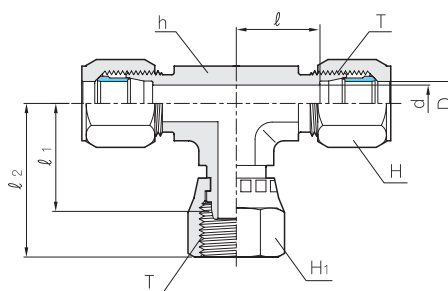
l_1 - Center to end of Mating Part

Part No.	Tube O.D D (in)	T Straight Thread Size	d	Width across flat			l	l ₁	l ₂
				h	H	H ₁			
BSRT - 4T	1/4	7/16 - 20	5.2	11.1	14.2	14.2	16.6	19.1	26.7
BSRT - 6T	3/8	9/16 - 18	7.0	14.2	17.4	17.4	20.4	23.9	32.5
BSRT - 8T	1/2	3/4 - 16	10.7	19.1	22.2	22.2	24.1	27.2	37.3
BSRT - 12T	3/4	1 1/16 - 12	16.6	27.0	31.7	31.7	31.2	32.8	45.0
BSRT - 16T	1	1 5/16 - 12	22.2	33.3	38.1	38.1	33.4	36.3	47.2

Swivel Branch Tee

BSBT

SAE 080433 MS51853



l_1 - Center to end of Mating Part

Part No.	Tube O.D D (in)	T Straight Thread Size	d	Width across flat			l	l ₁	l ₂
				h	H	H ₁			
BSBT - 4T	1/4	7/16 - 20	5.2	11.1	14.2	14.2	16.6	19.1	26.7
BSBT - 6T	3/8	9/16 - 18	7.0	14.2	17.4	17.4	20.4	23.9	32.5
BSBT - 8T	1/2	3/4 - 16	10.7	19.1	22.2	22.2	24.1	27.2	37.3
BSBT - 12T	3/4	1 1/16 - 12	16.6	27.0	31.7	31.7	31.2	32.8	45.0

All dimensions are in millimeters unless otherwise specified. Dimensions are for reference only, subject to change.