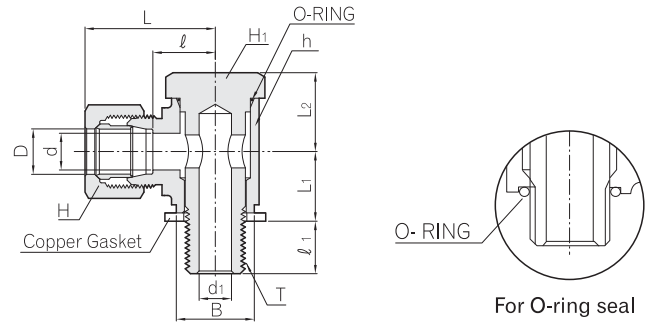


Tube Fittings

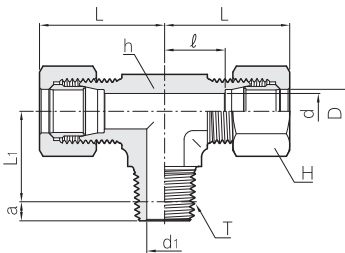
Stud Elbow BSLM



For O-ring seal

Part No.	Tube O.D.		(PF) T	d ₁	d	Width across flat			l ₁	l	Approx.			B	O-ring
	D					h	H ₁	H			L ₁	L ₂	L		
BSLM 06 - 01G	6		1/8	4	4	17	17	14	8	16.0	13	14	33.5	14.0	P10
BSLM 08 - 02G	8		1/4	7	6	22	22	17	12	18.0	16	17	35.5	18.0	P12
BSLM 10 - 02G	10		1/4	7	8	22	22	19	12	18.0	16	17	36.5	18.0	P12
BSLM 12 - 03G	12		3/8	9	10	27	27	22	12	22.0	19	22	40.5	21.5	P18
BSLM 15 - 04G	15		1/2	12	12	36	30	27	14	28.5	24	28	48.5	25.5	P22
BSLM 16 - 04G	16		1/2	12	13	36	30	30	14	28.5	24	28	48.5	25.5	P22
BSLM 18 - 04G	18		1/2	12	14	36	30	32	14	28.0	24	28	48.5	25.5	P22
BSLM 20 - 06G	20		3/4	16	17	41	41	36	16	30.0	28	32	50.5	31.5	P28
BSLM 22 - 06G	22		3/4	16	18	42	41	36	16	29.0	28	32	50.5	31.5	P28
BSLM 25 - 08G	25		1	22	20	50	50	41	18	32.0	37	38	55.5	38.0	P36
BSLM 28 - 08G	28		1	22	22	50	50	46	18	32.0	37	38	56.0	38.0	P36
BSLM 81 - 02G	1/8	10.5	1/4	7	8	22	22	19	12	18.0	16	17	36.5	18.0	P12
BSLM 82 - 03G	1/4	13.8	3/8	9	11	27	27	24	12	21.5	19	22	41.0	21.5	P18
BSLM 83 - 04G	3/8	17.3	1/2	12	14	36	30	32	14	28.0	24	28	48.5	25.5	P22
BSLM 84 - 06G	1/2	21.7	3/4	16	18	41	41	36	16	29.0	28	32	50.5	31.5	P28
BSLM 85 - 08G	3/4	27.2	1	22	22	50	50	46	18	32.0	37	38	56.0	38.0	P36

Male Branch Tee BBTM



Part No.	Tube O.D.		(PT) T	d	d ₁	Basic gauge length a	Width across flat		l	Approx.	
	D						h	H		L	L ₁
BBTM 04 - 01R	4		1/8	2.5	4	3.97	12	12	9.0	22.5	13.0
BBTM 06 - 01R	6		1/8	4.0	4	3.97	14	14	13.0	30.5	14.0
BBTM 06 - 02R	6		1/4	4.0	7	6.01	17	14	16.0	33.5	17.0
BBTM 08 - 01R	8		1/8	6.0	4	3.97	17	17	16.0	33.5	16.0
BBTM 08 - 02R	8		1/4	6.0	7	6.01	17	17	16.0	33.5	18.0
BBTM 10 - 02R	10		1/4	8.0	7	6.01	17	19	16.0	34.5	19.0
BBTM 10 - 03R	10		3/8	8.0	9	6.35	19	19	17.0	35.5	19.5
BBTM 12 - 02R	12		1/4	10.0	7	6.01	19	22	17.0	35.5	18.0
BBTM 12 - 03R	12		3/8	10.0	9	6.35	19	22	17.0	35.5	20.5
BBTM 15 - 03R	15		3/8	12.0	9	6.35	24	27	21.5	41.5	23.5
BBTM 15 - 04R	15		1/2	12.0	12	8.16	24	27	21.5	41.5	26.0
BBTM 16 - 04R	16		1/2	13.0	12	8.16	27	30	24.5	44.5	27.0
BBTM 18 - 04R	18		1/2	14.0	12	8.16	27	32	20.0	44.5	30.0
BBTM 20 - 06R	20		3/4	17.0	16	9.53	30	36	25.0	45.5	30.5
BBTM 22 - 06R	22		3/4	18.0	16	9.53	32	36	25.0	46.5	32.5
BBTM 25 - 06R	25		3/4	20.0	16	9.53	36	41	26.0	49.5	33.5
BBTM 25 - 08R	25		1	20.0	22	10.39	36	41	26.0	49.5	35.5
BBTM 28 - 08R	28		1	22.0	22	10.39	41	46	31.0	55.0	39.5
BBTM 30 - 08R	30		1	25.0	22	10.39	41	46	31.0	55.5	39.5
BBTM 30 - 10R	30		1 1/4	25.0	31	12.70	46	46	36.0	60.5	42.5
BBTM 32 - 10R	32		1 1/4	26.0	31	12.70	46	50	35.0	60.5	43.5
BBTM 35 - 10R	35		1 1/4	28.0	31	12.70	46	55	35.0	63.5	45.5
BBTM 38 - 12R	38		1 1/2	32.0	36	12.70	50	60	38.0	69.5	48.5
BBTM 40 - 12R	40		1 1/2	32.0	36	12.70	55	60	43.0	74.5	49.5
BBTM 50 - 16R	50		2	40.0	46	15.88	65	75	50.0	83.5	58.0
BBTM 81 - 02R	1/8	10.5	1/4	8.0	7	6.01	17	19	16.0	34.5	19.0
BBTM 82 - 03R	1/4	13.8	3/8	11.0	9	6.35	22	24	20.5	40.0	22.5
BBTM 83 - 04R	3/8	17.3	1/2	14.0	12	8.16	27	32	24.0	44.5	30.0
BBTM 84 - 06R	1/2	21.7	3/4	18.0	16	9.53	32	36	25.0	46.5	32.5
BBTM 85 - 08R	3/4	27.2	1	22.0	22	10.39	41	46	31.0	55.0	39.5
BBTM 86 - 10R	1	34.0	1 1/4	28.0	31	12.70	46	55	35.0	63.5	45.5
BBTM 87 - 12R	1 1/4	42.7	1 1/2	34.0	36	12.70	60	65	45.0	77.5	51.5
BBTM 88 - 16R	1 1/2	48.6	2	40.0	46	15.88	65	75	50.0	83.5	58.0

All dimensions are in millimeters. Dimensions are for reference only, subject to change.