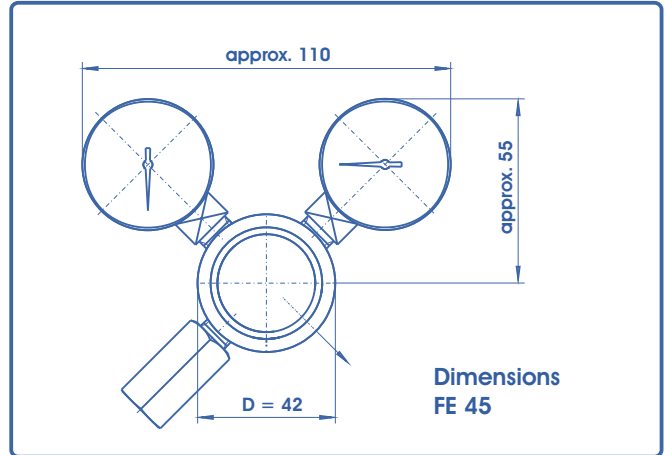


Cylinder regulator FE 45



Figure
FE 45



Dimensions
FE 45

Product features

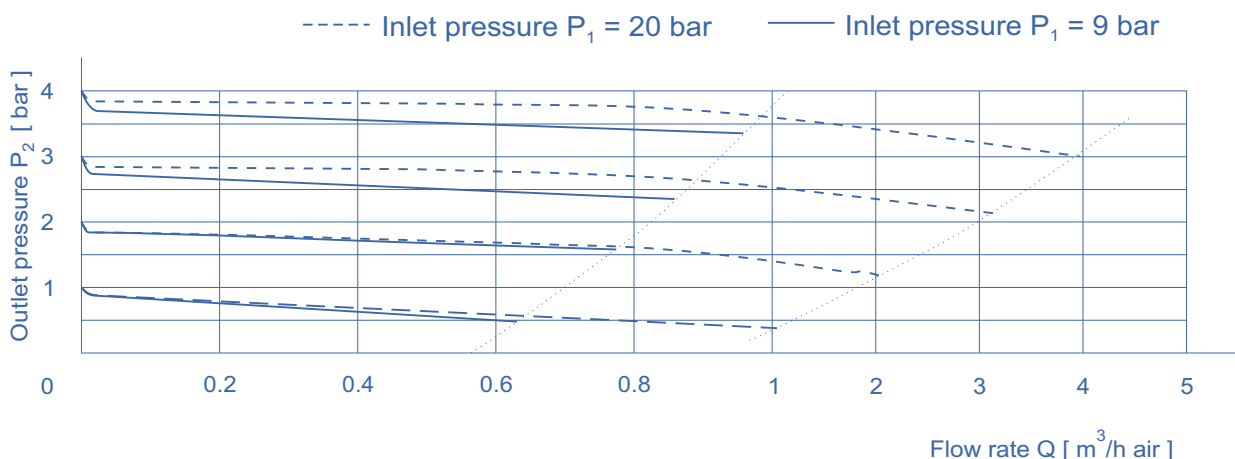
- Single-stage cylinder pressure regulator with compensated main valve for improved performance
- Simple and safe gas withdrawal from gas cylinders, for corrosive gases and gas mixtures up to quality 6.0
- Compensated main valve for significantly improved outlet pressure accuracy similar to a dual-stage regulator
- Compact design, light weight
- New laboratory-style design
- Ergonomically designed
- Suitable for ECD-applications
- High control accuracy
- Integrated relief valve
- Hastelloy-diaphragm
- Minimised gas-wetted surface
- Manual cylinder connection (for non-metal-to-metal sealing cylinder connections)

Technical data

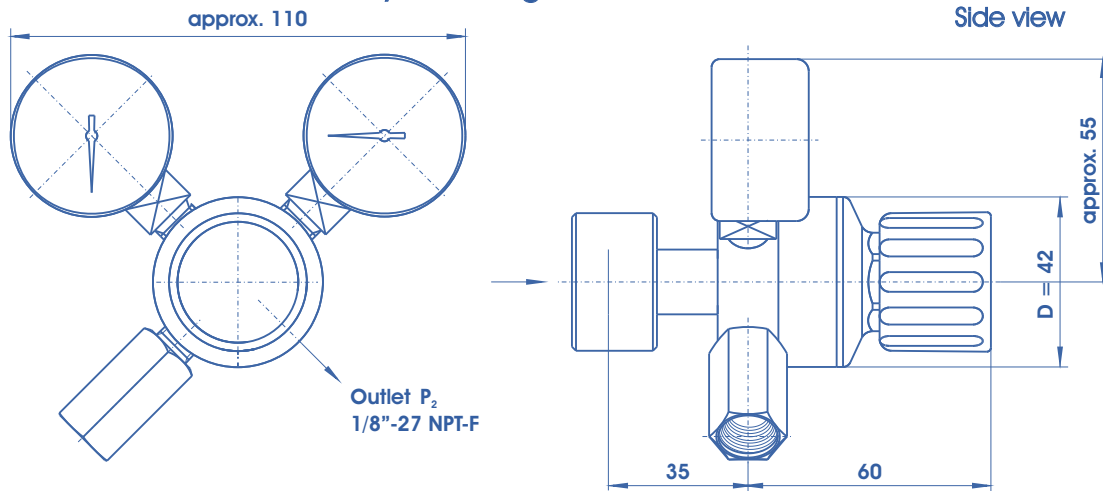
Inlet pressure P_1:	max. 230 bar 300 bar on request
Max. Outlet pressure P_2:	0,1 - 10 bar
Flow rate Q:	see flow curves
Materials:	
Body:	SS 1.4404 (SS 316 L)
Diaphragm:	Hastelloy C276
Valve seat:	PCTFE ¹⁾
Cylinder connection:	acc. to international standards and gas type
Outlet connector:	1/8"-27 NPT-F
Leak rate (to atmosphere):	10^{-8} mbar l/sec He
Weight:	520 g
Outlet fittings:	see accessories

¹⁾ Other valve seat materials such as PVDF upon request

Flow curves FE 45



Cylinder regulator FE 45



Additional configurations upon request!

Ordering information:
FE 45 series cylinder regulators

FE 45 - 230 - 4 - BS no. 3 - H₂

Inlet pressure P₁

230 - max. 230 bar

Outlet pressure P₂

1,5 - up to 1.5 bar
4 - up to 4 bar
10 - up to 10 bar

Type of gas

Please specify type of gas (for selection of valve seat material)

Cylinder connection

Detailed description of the cylinder connection including the relevant standard and the number of the connection (e.g. BS no.3)

Specifications

- SPECTROCEM - components guarantee maximum quality by using high grade materials and a quality assurance program acc. to ISO 9001.
- All components which come into contact with the medium are cleaned in an ultrasonic cleaning system (CFC-free) with the special cleaning process SPECTRO-CLEAN® and are then baked out.
- SPECTROCEM - components undergo a 100% function- and Helium-leak-test.

Pressure indication

- All pressure regulators are equipped with pressure gauges for inlet- and outlet pressure indication.

Important note regarding component selection

- In order to assure safe operation it is essential to take the configuration of the whole gas supply system into account when selecting a pressure regulator.
- The function of the regulator, the compatibility of the materials, correlating temperature ranges, correct installation, operation and maintenance in accordance with the relevant regulations are the responsibility of the system designer and the user.