

Line pressure regulator LE51-4

spectro**cem**



Line pressure regulator LE51-4

Specifications

- SPECTROCEM - components guarantee maximum quality by using high grade materials and a quality assurance program acc. to ISO 9001.
- All parts in the gas wetted surface area are cleaned in an ultrasonic cleaning system (CFC-free) with the special Cleaning process SPECTRO-CLEAN® and then baked out.
- SPECTROCEM - components undergo a 100% function- and Helium-leak-test.

Product features

- Stainless steel line pressure regulator
- For corrosive, toxic gases and gas mixtures with corrosive components up to quality 6.0
- 4 ports for flexible and individual configuration
- Stable outlet pressure
- Anti-vibration device
- Suitable for inlet pressures up to 300 bar
- Max. outlet pressures 1,5 up to 200 bar *
- Metal-to-metal seal to atmosphere
- Suitable for ECD-applications
- Pressure regulator can be evacuated
- Inlet filter
- Approved for use with oxygen
- Simple outlet pressure limitation by handwheel
- Easy to install
- New laboratory-style design
- Ergonomically designed

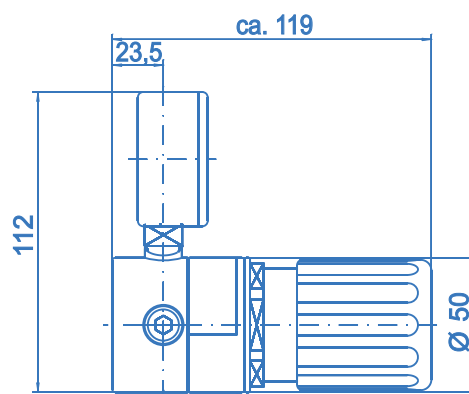
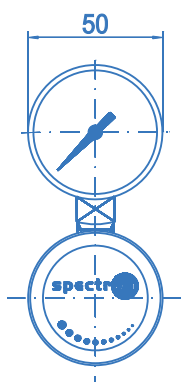
* 1.5 / 4 bar only for inlet pressure \leq 50 bar

Technical data

Type	single-stage
Inlet pressure P_1	max. 300 bar
Outlet pressure P_2	1,5 / 4 bar ($P_1 \leq$ 50 bar) 10 / 20 / 50 / 100 / 200 bar ($P_1 >$ 50 bar)
Materials	
Body regulator, relief valve:	SS 316L (SS 1.4404)
Valve seat:	PVDF
Diaphragm:	Hastelloy C276
Filter:	Sintered SS 316L
In- and outlets	1/4" NPT-F
Temperature range	-30°C to +60°C
Leak rate (to atmosphere)	1×10^{-8} mbar l/s He
(via seat)	1×10^{-6} mbar l/s He
Pressure gauge	Safety pressure gauges ISO5171/K11.6/NG50
Flow capacity	$C_v=0.15$
Weight	1.0 kg

Dimensions
LE51-4

Side view



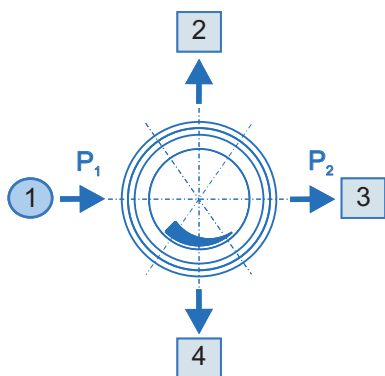
Line pressure regulator LE51-4



Ordering information:
Line pressure regulator LE51-4

In- / outlets

- CE 1/4 - 1/8" / 1/4" / 1/2" - OD compression fitting (stainless steel)
- CE 6 - 3/6/8/10/12 mm compression fitting (stainless steel)
- B - plug
- A - relief valve - 1/4"-18 NPT-F ($P_2 \leq 100$ bar)
- K - contact pressure gauge
- M - pressure gauge
- 0 - 1/4"-NPT-F (port only)



LE51 - 4 - 300 - 10 - 1 - 2 - 3 - 4 - Cl₂

Inlet pressure P_1

- | | |
|------------------|--------------------|
| 10 - max. 10 bar | 100 - max. 100 bar |
| 20 - max. 20 bar | 200 - max. 200 bar |
| 50 - max. 50 bar | 300 - max. 300 bar |

Outlet pressure P_2

- 1,5 - up to 1,5 bar ($P_1 \leq 50$ bar)
- 4 - up to 4 bar ($P_1 \leq 50$ bar)
- 10 - up to 10 bar
- 20 - up to 20 bar
- 50 - up to 50 bar
- 100 - up to 100 bar
- 200 - up to 200 bar

Type of gas

Please specify type of gas
(for selection of valve seat materials)

Ordering example:

LE51-4-L-300-10-CE6-M-CE6-B-N2

