

Line pressure regulator LE51-6

spectro**cem**



Line pressure regulator LE51-6

Specifications

- SPECTROCEM - components guarantee maximum quality by using high grade materials and a quality assurance program acc. to ISO 9001.
- All parts in the gas wetted surface area are cleaned in an ultrasonic cleaning system (CFC-free) with the special Cleaning process SPECTRO-CLEAN® and then baked out.
- SPECTROCEM - components undergo a 100% function- and Helium-leak-test.

Product features

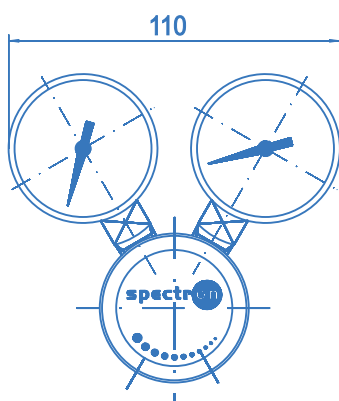
- Stainless steel line pressure regulator
- For corrosive, toxic gases and gas mixtures with corrosive components up to quality 6.0
- 6 ports for flexible and individual configuration
- Stable outlet pressure
- Anti-vibration device
- Suitable for inlet pressures up to 300 bar
- Max. outlet pressures 1,5 up to 200 bar *
- Metal-to-metal seal to atmosphere
- Suitable for ECD-applications
- Pressure regulator can be evacuated
- Inlet filter
- Approved for use with oxygen
- Simple outlet pressure limitation by handwheel
- Easy to install
- New laboratory-style design
- Ergonomically designed

* 1.5 / 4 bar only for inlet pressure \leq 50 bar

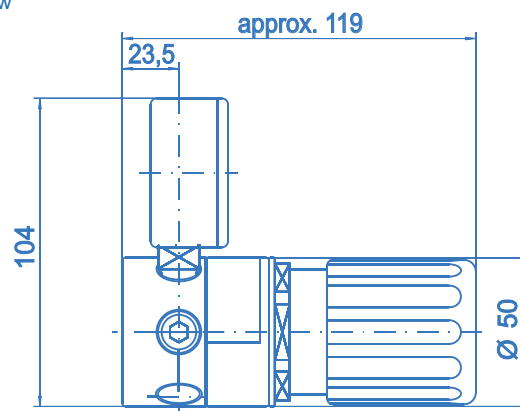
Technical data

Type	single-stage
Inlet pressure P_1	max. 300 bar
Outlet pressure P_2	1,5 / 4 bar ($P_1 \leq 50$ bar) 10 / 20 / 50 / 100 / 200 bar ($P_1 > 50$ bar)
Materials	
Body regulator, relief valve:	SS 316L (SS 1.4404)
Valve seat:	PVDF
Diaphragm:	Hastelloy C276
Filter:	Sintered SS 316L
In- and outlets	1/4" NPT-F
Temperature range	-30°C to +60°C
Leak rate (to atmosphere)	1×10^{-8} mbar l/s He
(via seat)	1×10^{-6} mbar l/s He
Pressure gauge	Safety pressure gauges ISO5171/KI1.6/NG50
Flow capacity	$C_v=0.15$
Weight	1.1 kg

Dimensions
LE51-6



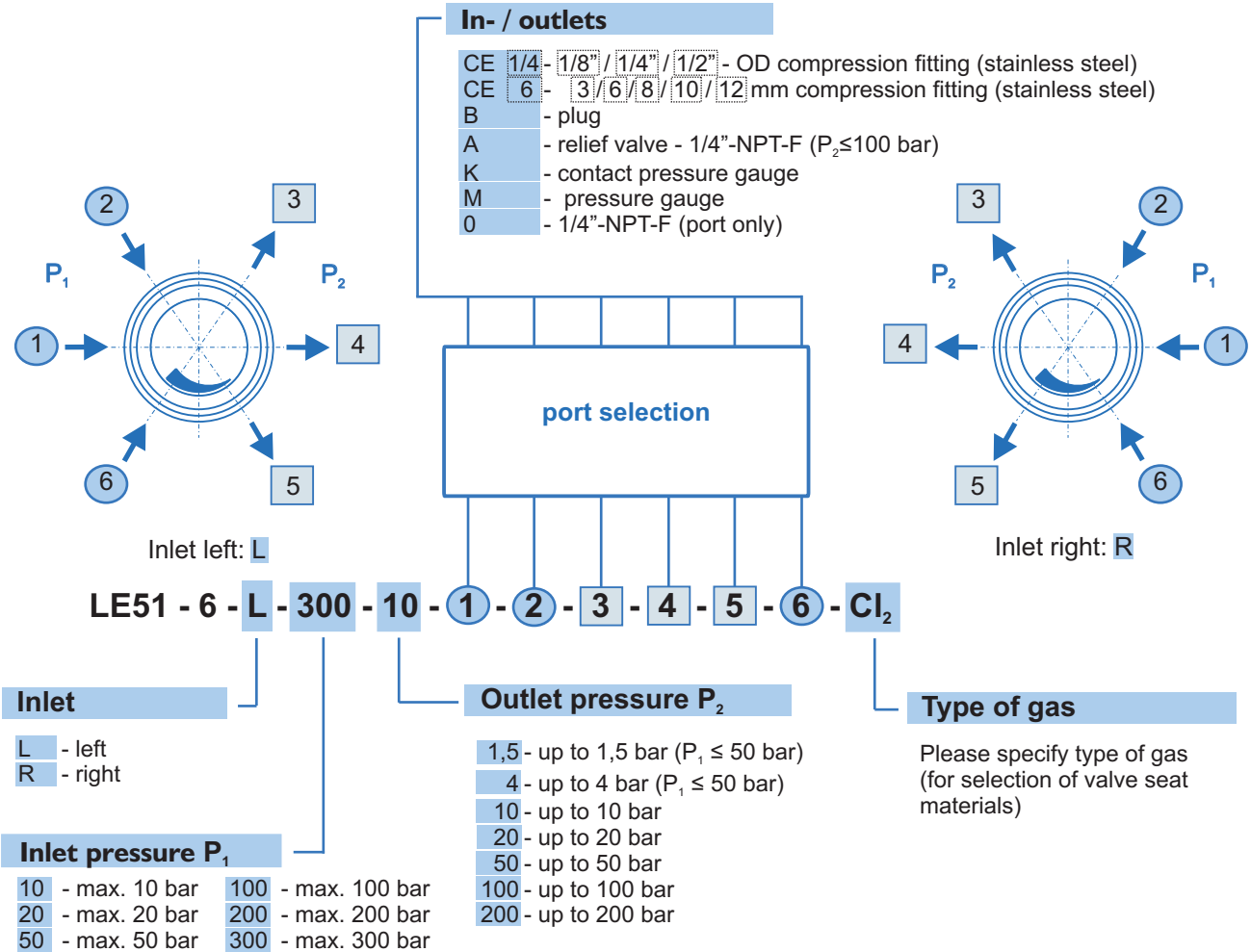
Side view



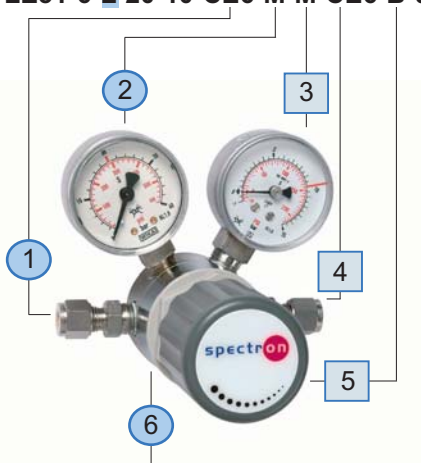
Line pressure regulator LE51-6



Ordering information:
Line pressure regulator LE51-6



Ordering example:
LE51-6-L-20-10-CE6-M-M-CE6-B-0-N2



Ordering example:
LE51-6-R-200-10-0-M-M-CE6-A-B-Ar

