

Line regulator LE52^{exact}-4

spectro**cem**



Line pressure regulator
LE52^{exact}-4

Specifications

- SPECTROCEM - components guarantee maximum quality by using high grade materials and a quality assurance program acc. to ISO 9001.
- All parts in the gas wetted surface area are cleaned in an ultrasonic cleaning system (CFC-free) with the special Cleaning process SPECTRO-CLEAN® and then baked out.
- SPECTROCEM - components undergo a 100% function- and Helium-leak-test.

Product features

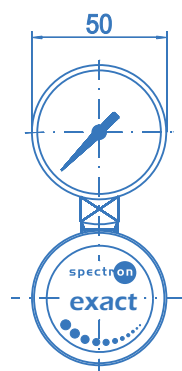
- Stainless steel line pressure regulator
- Extremely stable outlet pressure by applied extremely accurate technology "exact" and anti-vibration device
- For corrosive, toxic gases and gas mixtures with corrosive components up to quality 6.0
- 4 ports for flexible and individual configuration
- Suitable for inlet pressures up to 300 bar
- Max. outlet pressures 1.5 up to 20 bar
- Light weight
- Compact design
- Metal-to-metal seal to atmosphere
- Suitable for ECD-applications
- Pressure regulator can be evacuated
- Central filter
- Approved for use with oxygen
- Simple outlet pressure limitation by handwheel
- Easy to install
- New laboratory-style design

exact = extremely accurate technology

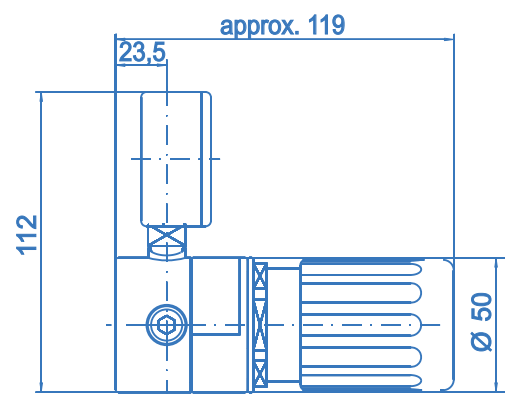
Technical data

Type	single-stage EXACT
Inlet pressure P₁	max. 300 bar
Outlet pressure P₂	1.5 / 4 / 10 / 20 bar
Materials	
Body regulator, relief valve:	SS 316L (SS 1.4404)
Valve seat:	PVDF
Diaphragm:	Hastelloy C276
Soft goods:	EPDM
Filter:	Sintered SS 316L
In- and outlets	1/4" NPT-F
Temperature range	-30°C to +60°C
Leak rate (to atmosphere)	1x10 ⁻⁸ mbar l/s He
(via seat)	1x10 ⁻⁶ mbar l/s He
Pressure gauge	Safety pressure gauges ISO5171/KI1.6/NG50
Flow capacity	C _v =0.15
Weight	1.1 kg

Dimensions
LE52^{exact}-4



Side view

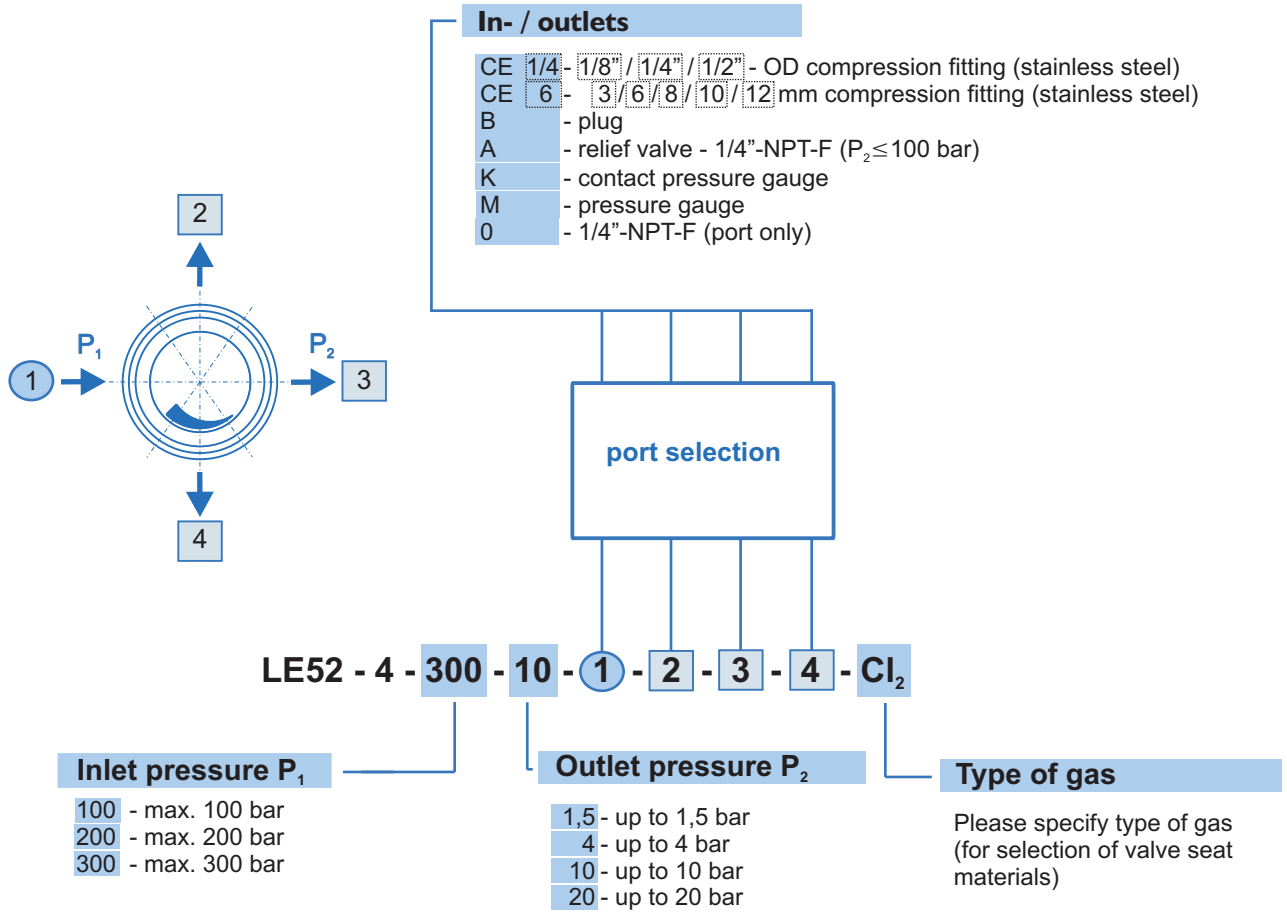


Line regulator LE52^{exact}-4



Ordering information:

Line pressure regulator LE52^{exact}-4



For inlet pressure up to 50 bar and outlet pressure of max. 1,5 or 4 bar please use M51

Ordering example:

LE52-4-300-10-CE6-M-CE6-B-N2

