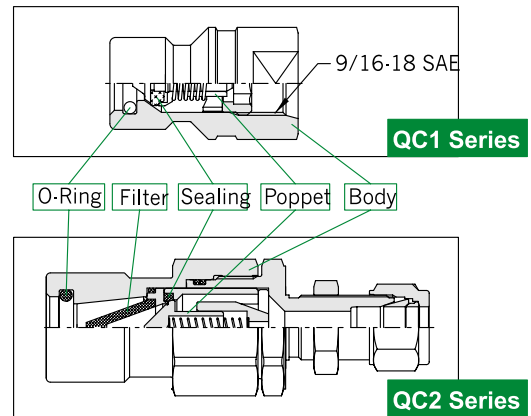


## Introduction

Hy-Lok's receptacle is designed for permanent mounting to a compressed natural gas vehicle(NGV).

QC1 Series receptacle utilizes the AGA / CGA NGV 1 profile allowing complete interchangeability to any nozzle conforming to the AGA / CGA NGV 1 standard.

Tested and certified for this application per AGA / CGA NGV 1 & ECE R110  
 QC2 Series receptacle is designed specifically for bus and trucks refuelling. Receptacle is designed to provide superior flow characteristics.



## Features

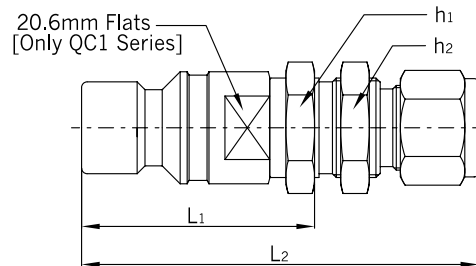
- Receptacle contains a highly reliable non-contact check valve that opens only when differential pressure is present during fueling.
- Internal check valve provides unidirectional flow.
- Construction material - available in stainless steel or brass.
- Self-Centering Poppet.
- Standard protective dust caps are supplied with all receptacles.
- Optionally with particle filter available (50 Micron).

## Technical Data

- Maximum Operating Pressure : 3600 psig(250 bar) @ 100 °F (38 °C)
- Operating Temperature Range : From -40 °F to 250 °F (-40 °C to 121 °C)

## Material of Construction

Description	Material / ASTM Specification	
Body	SS316 / A479	BRASS / B16
Poppet	SS316 / A479	
Sealing	NBR	
O-Ring	NBR	



## Table of Dimensions

Basic Part No.	End Connection	Width across flat				Dimensions, in. (mm)	
		h <sub>1</sub>		h <sub>2</sub>		L <sub>1</sub>	L
		in.	mm	in.	mm		
QC1CB - 4	1/4 Hy-Lok	11/16	17.4	5/8	15.8	1.91" (48.5)	3.23" ( 82.0)
QC1CB - 6	3/8 Hy-Lok	3/4	19.1	3/4	19.1	1.96" (49.8)	3.41" ( 86.6)
QC1CB - 8	1/2 Hy-Lok	1	25.4	1	25.4	2.05" (52.0)	3.48" ( 88.4)
QC1CB - 6M	6M Hy-Lok	-	18.0	5/8	15.8	1.91" (48.5)	3.23" ( 82.1)
QC1CB - 10M	10M Hy-Lok	-	22.0	-	22.0	1.96" (49.8)	3.41" ( 86.8)
QC1CB - 12M	12M Hy-Lok	-	24.0	15/16	23.8	2.05" (52.0)	3.49" ( 88.6)
QC2CB - 12M	12M Hy-Lok	-	36.0	15/16	23.8	2.74" (69.5)	4.39" (111.4)
QC2CB - 16M	16M Hy-Lok	-	36.0	-	27.0	2.74" (69.5)	4.41" (112.1)

\* Dimensions shown with Hy-Lok nuts in finger-tight position, where applicable.

## Ordering Information

**QC1**

### Series Designator

- QC1 : NGV1 Receptacle
- QC2 : For Buses and Trucks

**CB**

### End Connection Designator

- CB : Hy-Lok Tube Fitting
- CBZ : O-Ring Face Seal

**4**

### Size Designator

- Tube O.D. Designation

Tube O.D.	1/4"	3/8"	1/2"	6mm	10mm	12mm	16mm
Designation	4	6	8	6M	10M	12M	16M

**S316**

### Body Material Designator

- S316 : 316 Stainless Steel
- BRAS : Brass