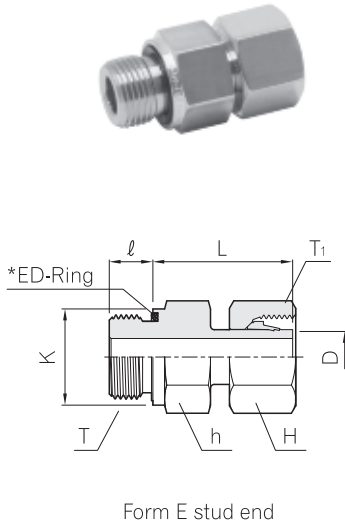


# Tube Fittings for DIN 2353 & ISO 8434 part1

## Adapter (BSP Paralled / Metric Paralled) with \*ED-Ring DA-GED/MED



### for BSP Paralled

Series	Part No.	Tube O.D. D	H	h	K	L	ℓ	T G(PF)	T <sub>1</sub>	PN(bar)		
										Steel	SS316	BRASS
L	DA 06L-01GED	6	14	14	14	24,5	8	1/8	M 12 x 1,5	315	315	200
	DA 08L-02GED	8	17	19	19	29,5	12	1/4	M 14 x 1,5	315	315	200
	DA 10L-02GED	10	19	19	19	27,5	12	1/4	M 16 x 1,5	315	315	200
	DA 12L-03GED	12	22	22	22	34,0	12	3/8	M 18 x 1,5	315	315	200
	DA 15L-04GED	15	27	27	27	32,0	14	1/2	M 22 x 1,5	315	315	200
	DA 18L-04GED	18	32	27	27	31,5	14	1/2	M 26 x 1,5	315	315	200
	DA 22L-06GED	22	36	32	32	32,5	16	3/4	M 30 x 2	160	160	100
	DA 28L-08GED	28	41	41	40	35,0	18	1	M 36 x 2	160	160	
	DA 35L-10GED	35	50	50	50	42,5	20	1 1/4	M 45 x 2	160	160	
	DA 42L-12GED	42	60	55	55	46,5	22	1 1/2	M 52 x 2	160	160	
S	DA 06S-02GED	6	17	19	19	27,0	12	1/4	M 14 x 1,5	630	630	
	DA 08S-02GED	8	19	19	19	29,5	12	1/4	M 16 x 1,5	630	630	
	DA 10S-03GED	10	22	22	22	32,0	12	3/8	M 18 x 1,5	630	630	
	DA 12S-03GED	12	24	22	22	34,0	12	3/8	M 20 x 1,5	630	630	
	DA 12S-04GED	12	24	27	27	34,5	14	1/2	M 20 x 1,5	630	630	
	DA 14S-04GED	14	27	27	27	36,5	14	1/2	M 22 x 1,5	630		630
	DA 16S-04GED	16	30	27	27	37,0	14	1/2	M 24 x 1,5	400	400	
	DA 16S-06GED	16	30	32	32	39,0	16	3/4	M 24 x 1,5	400		
	DA 20S-06GED	20	36	32	32	43,0	16	3/4	M 30 x 2	400	400	
	DA 25S-08GED	25	46	41	40	48,0	18	1	M 36 x 2	400	400	
DA 30S-10GED	30	50	50	50	51,0	20	1 1/4	M 42 x 2	400	400		
DA 38S-12GED	38	60	55	55	60,0	22	1 1/2	M 52 x 2	315	315		

### for Metric Paralled

Series	Part No.	Tube O.D. D	H	h	K	L	ℓ	T M(Metric)	T <sub>1</sub>	PN(bar)	
										Steel	SS316
L	DA 06L-M10ED	6	14	14	14	24,5	8	M 10 x 1	M 12 x 1,5	315	315
	DA 08L-M12ED	8	17	17	17	26,5	12	M 12 x 1,5	M 14 x 1,5	315	315
	DA 10L-M14ED	10	19	19	19	27,5	12	M 14 x 1,5	M 16 x 1,5	315	315
	DA 12L-M16ED	12	22	22	22	30,5	12	M 16 x 1,5	M 18 x 1,5	315	315
	DA 15L-M18ED	15	27	24	24	31,5	14	M 18 x 1,5	M 22 x 1,5	315	315
	DA 18L-M22ED	18	32	27	27	31,5	14	M 22 x 1,5	M 26 x 1,5	315	315
	DA 22L-M26ED	22	36	32	32	32,5	16	M 26 x 1,5	M 30 x 2	160	160
	DA 28L-M33ED	28	41	41	40	35,0	18	M 33 x 2	M 36 x 2	160	160
	DA 35L-M42ED	35	50	50	50	42,5	20	M 42 x 2	M 45 x 2	160	160
	DA 42L-M48ED	42	60	55	55	46,5	22	M 48 x 2	M 52 x 2	160	160
S	DA 06S-M10ED	6	17	17	17	27,0	12	M 12 x 1,5	M 14 x 1,5	630	630
	DA 08S-M14ED	8	19	19	19	29,5	12	M 14 x 1,5	M 16 x 1,5	630	630
	DA 10S-M16ED	10	22	22	22	32,0	12	M 16 x 1,5	M 18 x 1,5	630	630
	DA 12S-M18ED	12	24	24	24	34,0	12	M 18 x 1,5	M 20 x 1,5	630	630
	DA 14S-M20ED	14	27	27	27	36,5	14	M 20 x 1,5	M 22 x 1,5	630	630
	DA 16S-M22ED	16	30	27	27	37,0	14	M 22 x 1,5	M 24 x 1,5	400	400
	DA 20S-M27ED	20	36	32	32	43,0	16	M 27 x 2	M 30 x 2	400	400
	DA 25S-M33ED	25	46	41	40	48,0	18	M 33 x 2	M 36 x 2	400	400
	DA 30S-M42ED	30	50	50	50	51,0	20	M 42 x 2	M 42 x 2	400	400
	DA 38S-M48ED	38	60	55	55	60,0	22	M 48 x 2	M 52 x 2	315	315

Dimensions are given for approximate length with tightened nut. All dimensions are in millimeters for reference only, subject to change.

O-Ring for connection is provided without male stud.

Please refer to final assembly instructions on page 67.

\* The standard ED-Ring material is NBR(e.g. perbunan®) however FPM(e.g. Viton®) is also available on Request (See Page3).