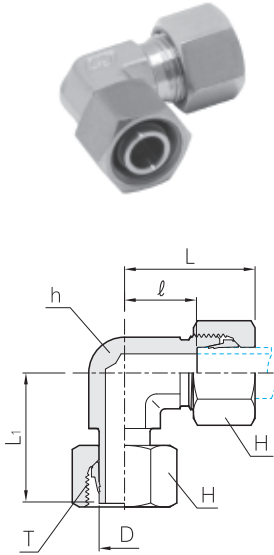


Tube Fittings for DIN 2353 & ISO 8434 part1

Adjustable Elbow with Standpipe

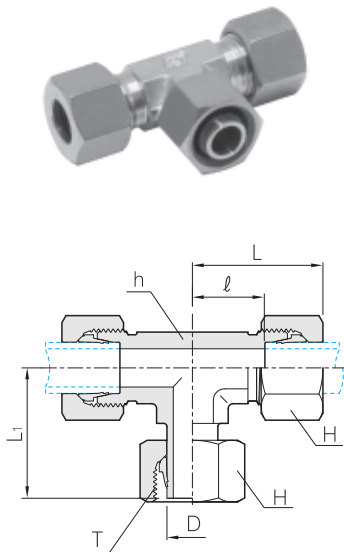
DLA



Series	Part No.	Tube O.D.	D	H ₁	h	L	L ₁	ℓ	T	PN(bar)		
										C.Steel	SS316	BRASS
L	DLA - 06L	6	6	14	12	27	26.0	12.0	M 12 x 1.5	315	315	200
	DLA - 08L	8	8	17	12	29	27.5	14.0	M 14 x 1.5	315	315	200
	DLA - 10L	10	10	19	14	30	29.0	15.0	M 16 x 1.5	315	315	200
	DLA - 12L	12	12	22	17	32	29.5	17.0	M 18 x 1.5	315	315	200
	DLA - 15L	15	15	27	19	36	32.5	21.0	M 22 x 1.5	315	315	200
	DLA - 18L	18	18	32	24	40	35.5	23.5	M 26 x 1.5	315	315	200
	DLA - 22L	22	22	36	27	44	38.5	27.5	M 30 x 2	160	160	100
	DLA - 28L	28	28	41	36	47	41.5	30.5	M 36 x 2	160	160	100
	DLA - 35L	35	35	50	41	56	51.0	34.5	M 45 x 2	160	160	100
	DLA - 42L	42	42	60	50	63	56.0	40.0	M 52 x 2	160	160	100
S	DLA - 06S	6	6	17	12	31	27.0	16.0	M 14 x 1.5	630	630	400
	DLA - 08S	8	8	19	14	32	27.5	17.0	M 16 x 1.5	630	630	400
	DLA - 10S	10	10	22	17	34	30.0	17.5	M 18 x 1.5	630	630	400
	DLA - 12S	12	12	24	17	38	31.0	21.5	M 20 x 1.5	630	630	400
	DLA - 14S	14	14	27	19	40	35.0	22.0	M 22 x 1.5	400	400	250
	DLA - 16S	16	16	30	24	43	36.5	24.5	M 24 x 1.5	400	400	250
	DLA - 20S	20	20	36	27	48	44.5	26.5	M 30 x 2	400	400	250
	DLA - 25S	25	25	46	36	54	50.0	30.0	M 36 x 2	400	400	250
	DLA - 30S	30	30	50	41	62	55.0	35.5	M 42 x 2	400	400	250
	DLA - 38S	38	38	60	50	72	63.0	41.0	M 52 x 2	315	315	200

Adjustable Branch Tee with Standpipe

DBTA



Series	Part No.	Tube O.D.	D	H ₁	h	L	L ₁	ℓ	T	PN(bar)		
										C.Steel	SS316	BRASS
L	DBTA - 06L	6	6	14	12	27	26.0	12.0	M 12 x 1.5	315	315	200
	DBTA - 08L	8	8	17	12	29	27.5	14.0	M 14 x 1.5	315	315	200
	DBTA - 10L	10	10	19	14	30	29.0	15.0	M 16 x 1.5	315	315	200
	DBTA - 12L	12	12	22	17	32	29.5	17.0	M 18 x 1.5	315	315	200
	DBTA - 15L	15	15	27	19	36	32.5	21.0	M 22 x 1.5	315	315	200
	DBTA - 18L	18	18	32	24	40	35.5	23.5	M 26 x 1.5	315	315	200
	DBTA - 22L	22	22	36	27	44	38.5	27.5	M 30 x 2	160	160	
	DBTA - 28L	28	28	41	36	47	41.5	30.5	M 36 x 2	160	160	
	DBTA - 35L	35	35	50	41	56	51.0	34.5	M 45 x 2	160	160	
	DBTA - 42L	42	42	60	50	63	56.0	40.0	M 52 x 2	160	160	
S	DBTA - 06S	6	6	17	12	31	27.0	16.0	M 14 x 1.5	630	630	
	DBTA - 08S	8	8	19	14	32	27.5	17.0	M 16 x 1.5	630	630	
	DBTA - 10S	10	10	22	17	34	30.0	17.5	M 18 x 1.5	630	630	
	DBTA - 12S	12	12	24	17	38	31.0	21.5	M 20 x 1.5	630	630	
	DBTA - 14S	14	14	27	19	40	35.0	22.0	M 22 x 1.5	400	400	
	DBTA - 16S	16	16	30	24	43	36.5	24.5	M 24 x 1.5	400	400	
	DBTA - 20S	20	20	36	27	48	44.5	26.5	M 30 x 2	400	400	
	DBTA - 25S	25	25	46	36	54	50.0	30.0	M 36 x 2	400	400	
	DBTA - 30S	30	30	50	41	62	55.0	35.5	M 42 x 2	400	400	
	DBTA - 38S	38	38	60	50	72	63.0	41.0	M 52 x 2	315	315	

Dimensions are given for approximate length with tightened nut. All dimensions are in millimeters for reference only, subject to change.
Pre-set nut and cutting ring for connection are provided without male stud.
Please refer to final assembly instructions on page 67.