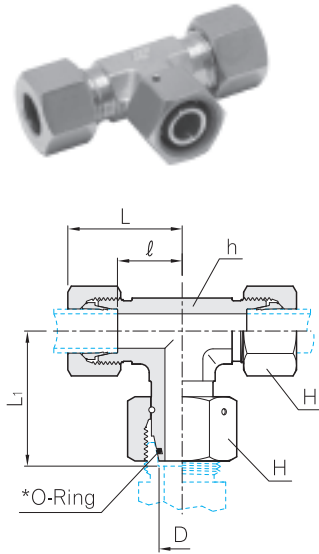


Swivel Adjustable Branch Tee with Cone

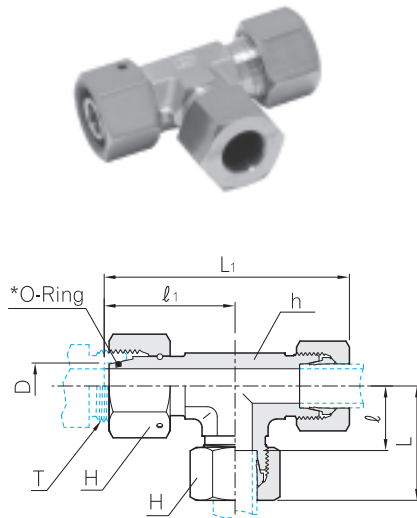
DET



Series	Part No.	Tube O.D. D	H	h	L	L ₁	ℓ	T	PN(bar)	
									C.Steel	SS316
L	DET - 06L	6	14	12	27	26.0	12.0	M 12 x 1.5	500	315
	DET - 08L	8	17	12	29	27.5	14.0	M 14 x 1.5	500	315
	DET - 10L	10	19	14	30	29.0	15.0	M 16 x 1.5	500	315
	DET - 12L	12	22	17	32	29.5	17.0	M 18 x 1.5	400	315
	DET - 15L	15	27	19	36	32.5	21.0	M 22 x 1.5	400	315
	DET - 18L	18	32	24	40	35.5	23.5	M 26 x 1.5	400	315
	DET - 22L	22	36	27	44	38.5	27.5	M 30 x 2	250	160
	DET - 28L	28	41	36	47	41.5	30.5	M 36 x 2	250	160
	DET - 35L	35	50	41	56	51.0	34.5	M 45 x 2	250	160
DET - 42L	42	60	50	63	56.0	40.0	M 52 x 2	250	160	
S	DET - 06S	6	17	12	31	27.0	16.0	M 14 x 1.5	800	630
	DET - 08S	8	19	14	32	27.5	17.0	M 16 x 1.5	800	630
	DET - 10S	10	22	17	34	30.0	17.5	M 18 x 1.5	800	630
	DET - 12S	12	24	17	38	31.0	21.5	M 20 x 1.5	630	630
	DET - 14S	14	27	19	40	35.0	22.0	M 22 x 1.5	630	630
	DET - 16S	16	30	24	43	36.5	24.5	M 24 x 1.5	630	400
	DET - 20S	20	36	27	48	44.5	26.5	M 30 x 2	420	400
	DET - 25S	25	46	36	54	50.0	30.0	M 36 x 2	420	400
	DET - 30S	30	50	41	62	55.0	35.5	M 42 x 2	420	400
DET - 38S	38	60	50	72	63.0	41.0	M 52 x 2	420	315	

Swivel Adjustable Run Tee with Cone

DEL



Series	Part No.	Tube O.D. D	H	h	L	L ₁	ℓ	ℓ ₁	T	PN(bar)	
										C.Steel	SS316
L	DEL - 06L	6	14	12	27	53	12.0	26.0	M 12 x 1.5	500	315
	DEL - 08L	8	17	12	29	56	14.0	27.5	M 14 x 1.5	500	315
	DEL - 10L	10	19	14	30	59	15.0	29.0	M 16 x 1.5	500	315
	DEL - 12L	12	22	17	32	61	17.0	29.5	M 18 x 1.5	400	315
	DEL - 15L	15	27	19	36	69	21.0	32.5	M 22 x 1.5	400	315
	DEL - 18L	18	32	24	40	75	23.5	35.5	M 26 x 1.5	400	315
	DEL - 22L	22	36	27	44	82	27.5	38.5	M 30 x 2	250	160
	DEL - 28L	28	41	36	47	89	30.5	41.5	M 36 x 2	250	160
	DEL - 35L	35	50	41	56	107	34.5	51.0	M 45 x 2	250	160
DEL - 42L	42	60	50	63	119	40.0	56.0	M 52 x 2	250	160	
S	DEL - 06S	6	17	12	31	58	16.0	27.0	M 14 x 1.5	800	630
	DEL - 08S	8	19	14	32	59	17.0	27.5	M 16 x 1.5	800	630
	DEL - 10S	10	22	17	34	64	17.5	30.0	M 18 x 1.5	800	630
	DEL - 12S	12	24	17	38	69	21.5	31.0	M 20 x 1.5	630	630
	DEL - 14S	14	27	19	40	75	22.0	35.0	M 22 x 1.5	630	630
	DEL - 16S	16	30	24	43	79	24.5	36.5	M 24 x 1.5	630	400
	DEL - 20S	20	36	27	48	93	26.5	44.5	M 30 x 2	420	400
	DEL - 25S	25	46	36	54	104	30.0	50.0	M 36 x 2	420	400
	DEL - 30S	30	50	41	62	117	35.5	55.0	M 42 x 2	420	400
DEL - 38S	38	60	50	72	135	41.0	63.0	M 52 x 2	420	315	

Dimensions are given for approximate length with tightened nut. All dimensions are in millimeters for reference only, subject to change.
 Pre-set nut and cutting ring for connection are provided without male stud.
 Please refer to final assembly instructions on page 67.