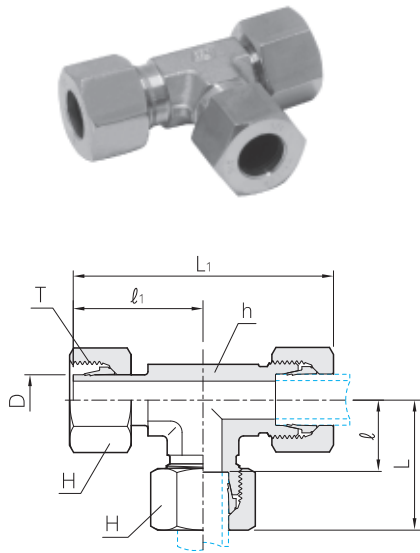


Adjustable Run Tee with Standpipe

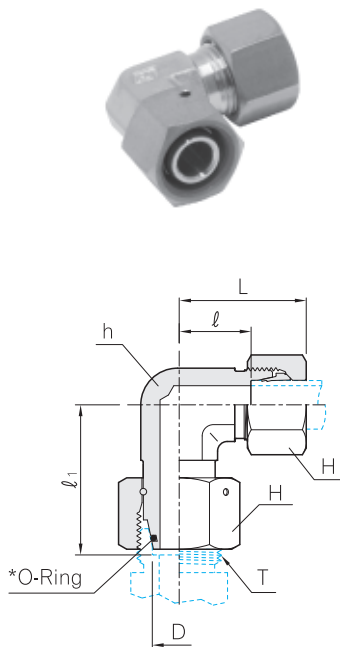
DRTA



Series	Part No.	Tube O.D.	D	h	H	L	L ₁	l	l ₁	T	PN(bar)		
											C.Steel	SS316	BRASS
L	DRTA - 06L	6	6	12	14	27	53	12.0	26.0	M 12 x 1.5	315	315	200
	DRTA - 08L	8	8	12	17	29	56	14.0	27.5	M 14 x 1.5	315	315	200
	DRTA - 10L	10	10	14	19	30	59	15.0	29.0	M 16 x 1.5	315	315	200
	DRTA - 12L	12	12	17	22	32	62	17.0	29.5	M 18 x 1.5	315	315	200
	DRTA - 15L	15	15	19	27	36	69	21.0	32.5	M 22 x 1.5	315	315	200
	DRTA - 18L	18	18	24	32	40	75	23.5	35.5	M 26 x 1.5	315	315	200
	DRTA - 22L	22	22	27	36	44	83	27.5	38.5	M 30 x 2	160	160	
	DRTA - 28L	28	28	36	41	47	91	30.5	41.5	M 36 x 2	160	160	
	DRTA - 35L	35	35	41	50	56	111	34.5	51.0	M 45 x 2	160	160	
	DRTA - 42L	42	42	50	60	63	123	40.0	56.0	M 52 x 2	160	160	
S	DRTA - 06S	6	6	12	17	31	58	16.0	27.0	M 14 x 1.5	630	630	
	DRTA - 08S	8	8	14	19	32	61	17.0	27.5	M 16 x 1.5	630	630	
	DRTA - 10S	10	10	17	22	34	66	17.5	30.0	M 18 x 1.5	630	630	
	DRTA - 12S	12	12	17	24	38	71	21.5	31.0	M 20 x 1.5	630	630	
	DRTA - 14S	14	14	19	27	40	75	22.0	35.0	M 22 x 1.5	400	400	
	DRTA - 16S	16	16	24	30	43	79	24.5	36.5	M 24 x 1.5	400	400	
	DRTA - 20S	20	20	27	36	48	93	26.5	44.5	M 30 x 2	400	400	
	DRTA - 25S	25	25	36	46	54	105	30.0	50.0	M 36 x 2	400	400	
	DRTA - 30S	30	30	41	50	62	119	35.5	55.0	M 42 x 2	400	400	
	DRTA - 38S	38	38	50	60	72	138	41.0	63.0	M 52 x 2	315	315	

Swivel Adjustable Elbow with Cone

DEW



Series	Part No.	Tube O.D. D	H	h	L	l	l ₁	T	PN(bar)	
									C.Steel	SS316
L	DEW - 06L	6	14	12	27	12.0	26.0	M 12 x 1.5	500	315
	DEW - 08L	8	17	12	29	14.0	27.5	M 14 x 1.5	500	315
	DEW - 10L	10	19	14	30	15.0	29.0	M 16 x 1.5	500	315
	DEW - 12L	12	22	17	32	17.0	29.5	M 18 x 1.5	400	315
	DEW - 15L	15	27	19	36	21.0	32.5	M 22 x 1.5	400	315
	DEW - 18L	18	32	24	40	23.5	35.5	M 26 x 1.5	400	315
	DEW - 22L	22	36	27	44	27.5	38.5	M 30 x 2	250	160
	DEW - 28L	28	41	36	47	30.5	41.5	M 36 x 2	250	160
	DEW - 35L	35	50	41	56	34.5	51.0	M 45 x 2	250	160
	DEW - 42L	42	60	50	63	40.0	56.0	M 52 x 2	250	160
S	DEW - 06S	6	17	12	31	16.0	27.0	M 14 x 1.5	800	630
	DEW - 08S	8	19	14	32	17.0	27.5	M 16 x 1.5	800	630
	DEW - 10S	10	22	17	34	17.5	30.0	M 18 x 1.5	800	630
	DEW - 12S	12	24	17	38	21.5	31.0	M 20 x 1.5	630	630
	DEW - 14S	14	27	19	40	22.0	35.0	M 22 x 1.5	630	630
	DEW - 16S	16	30	24	43	24.5	36.5	M 24 x 1.5	630	400
	DEW - 20S	20	36	27	48	26.5	44.5	M 30 x 2	420	400
	DEW - 25S	25	36	36	54	30.0	50.0	M 36 x 2	420	400
	DEW - 30S	30	50	41	62	35.5	55.0	M 42 x 2	420	400
	DEW - 38S	38	60	50	72	41.0	63.0	M 52 x 2	420	315

Dimensions are given for approximate length with tightened nut. All dimensions are in millimeters for reference only, subject to change.

O-Ring for connection is provided without male stud.

Please refer to final assembly instructions on page 67.

* The standard O-Ring material is NBR(e.g. Perbunan®) however FPM(e.g. Viton®) is also available on request (See Page 3).