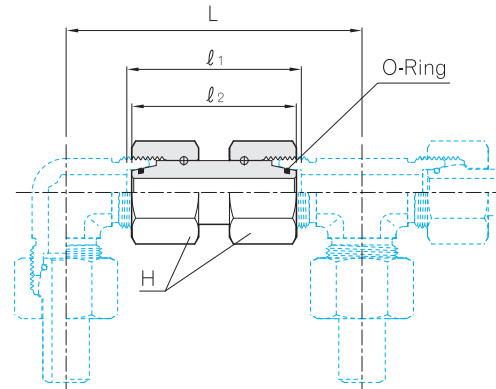


Swivel Union With Cone  
**DUE**



Series	Part No.	Tube O.D.	H	L	l	l <sub>1</sub>	PN(bar)	
							Steel	SS316
L	DUE - 06L	6	17	64.0	36.0	34.0	500	315
	DUE - 08L	8	17	64.0	36.0	34.0	500	315
	DUE - 10L	10	19	67.0	37.0	36.0	500	315
	DUE - 12L	12	22	71.0	37.0	36.0	400	315
	DUE - 15L	15	27	82.0	40.0	39.0	400	315
	DUE - 18L	18	32	89.5	42.5	40.5	400	315
	DUE - 22L	22	36	102.0	47.0	45.0	250	160
	DUE - 28L	28	46	110.0	49.0	47.0	250	160
	DUE - 35L	35	50	127.0	58.0	53.0	250	160
	DUE - 42L	42	60	139.0	59.0	53.0	250	160
S	DUE - 06S	6	17	71.0	39.0	37.0	800	630
	DUE - 08S	8	19	73.0	39.0	37.0	800	630
	DUE - 10S	10	22	78.0	43.0	41.0	800	630
	DUE - 12S	12	24	87.0	44.0	43.0	630	630
	DUE - 14S	14	27	92.0	48.0	45.0	630	630
	DUE - 16S	16	30	99.0	50.0	46.0	630	400
	DUE - 20S	20	36	113.0	60.0	55.0	420	400
	DUE - 25S	25	46	126.0	66.0	58.0	420	400
	DUE - 30S	30	50	144.0	73.0	62.0	420	400
	DUE - 38S	38	60	165.0	83.0	67.0	420	315

Dimensions are given for approximate length with tightened nut. All dimensions are in millimeters for reference only, subject to change.

O-Ring for connection is provided without male stud.

Please refer to final assembly instructions on page 67.

\* The standard O-Ring material is NBR(e.g. Perbunan®) however FPM(e.g. Viton®) is also available on request (See Page 3).