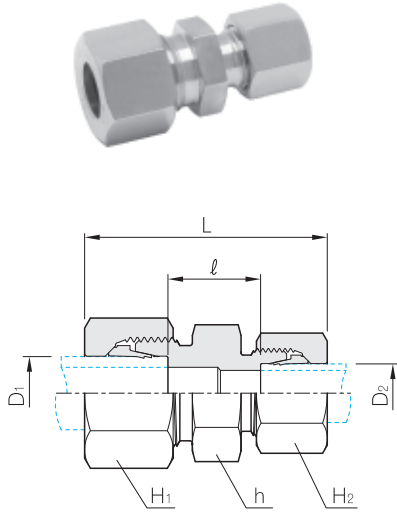


Tube Fittings for DIN 2353 & ISO 8434 part1

Reducing Union DUR



Series	Part No.	Tube O.D.		H ₁	H ₂	h	L	l	PN(bar)		
		D ₁	D ₂						C.Steel	SS316	BRASS
L	DUR 08L - 06L	8	6	17	14	14	40	11.0	500	315	200
	DUR 10L - 06L	10	6	19	14	17	41	12.0	500	315	200
	DUR 10L - 08L	10	8	19	17	17	41	12.0	500	315	200
	DUR 12L - 06L	12	6	22	14	19	42	13.0	400	315	200
	DUR 12L - 08L	12	8	22	17	19	42	13.0	400	315	200
	DUR 12L - 10L	12	10	22	19	19	43	14.0	400	315	200
	DUR 15L - 10L	15	10	27	19	24	45	15.0	400	315	200
	DUR 15L - 12L	15	12	27	22	24	45	15.0	400	315	200
	DUR 18L - 10L	18	10	32	19	27	46	15.5	400	315	200
	DUR 18L - 12L	18	12	32	22	27	46	15.5	400	315	200
	DUR 18L - 15L	18	15	32	27	27	48	16.5	400	315	200
	DUR 22L - 12L	22	12	36	22	32	48	17.5	250	160	100
	DUR 22L - 15L	22	15	36	27	32	50	18.5	250	160	100
	DUR 22L - 18L	22	18	36	32	32	50	18.0	250	160	100
	DUR 28L - 18L	28	18	41	32	41	52	19.0	250	160	100
	DUR 28L - 22L	28	22	41	36	41	54	21.0	250	160	100
	DUR 35L - 22L	35	22	50	36	46	59	21.0	250	160	100
	DUR 35L - 28L	35	28	50	41	46	59	21.0	250	160	100
S	DUR 08S - 06S	8	6	19	17	17	47	18.0	800	630	400
	DUR 10S - 06S	10	6	22	17	19	48	17.5	800	630	400
	DUR 10S - 08S	10	8	22	19	19	48	17.5	800	630	400
	DUR 12S - 06S	12	6	24	17	22	50	19.5	630	630	400
	DUR 12S - 08S	12	8	24	19	22	50	19.5	630	630	400
	DUR 12S - 10S	12	10	24	22	22	51	19.0	630	630	400
	DUR 14S - 10S	14	10	27	22	24	54	20.5	630	630	400
	DUR 14S - 12S	14	12	27	24	24	54	20.5	630	630	400
	DUR 16S - 12S	16	12	30	24	27	54	20.0	630	400	250
	DUR 16S - 14S	16	14	30	27	27	57	21.5	630	400	250
	DUR 20S - 10S	20	10	36	22	32	60	22.0	420	400	250
	DUR 20S - 12S	20	12	36	24	32	60	22.0	420	400	250
	DUR 20S - 16S	20	16	36	30	32	63	23.0	420	400	250
	DUR 25S - 16S	25	16	46	30	41	68	25.0	420	400	250
	DUR 25S - 20S	25	20	46	36	41	71	25.5	420	400	250
	DUR 30S - 20S	30	20	50	36	46	74	26.0	420	400	250
	DUR 30S - 25S	30	25	50	46	46	77	26.5	420	400	250
	DUR 38S - 30S	38	30	60	50	55	87	29.5	420	315	200

Dimensions are given for approximate length with tightened nut. All dimensions are in millimeters for reference only, subject to change.