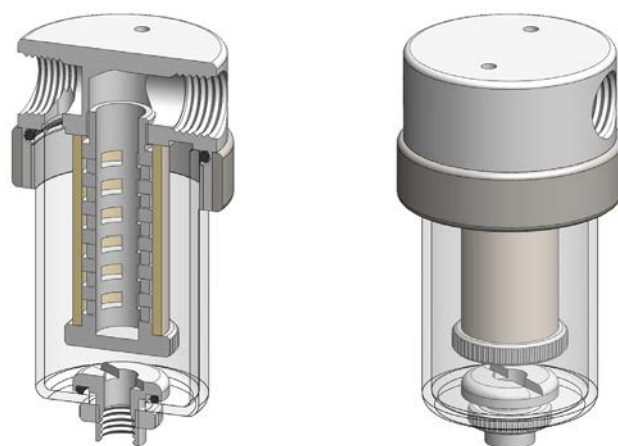


Materials	PTFE & Pyrex Glass
Pressure	7 Bar
Ports	1/4" or 1/2"
Element	25.64.□

FG211 series filter housings are constructed from PTFE, but use a Pyrex glass bowl so that the element can be monitored. They are specified for 1/4" & 1/2" line size applications.

Standard housings have NPT ports and a Viton seal. Other seal types are available as an option. BSPT and BSPP port types are also available.

Due to the nature of PTFE the housings are fitted with a 316L stainless steel collar on the head.



Technical Specifications

Housing Model	FG211.201	FG211.221	FG211.401	FG211.421
Port Size	1/4" NPT	1/4" NPT	1/2" NPT	1/2" NPT
Drain	None	1/4" NPT	None	1/4" NPT
Maximum Pressure, Bar	7	7	7	7
Maximum Temperature, °C	150	150	150	150
Materials of Construction (1)				
Head & Internals	PTFE	PTFE	PTFE	PTFE
Bowl	Pyrex Glass	Pyrex Glass	Pyrex Glass	Pyrex Glass
Seals (2)	Viton	Viton	Viton	Viton
Filter Element Code (3)	25.64.□	25.64.□	25.64.□	25.64.□
Adsorber Cartridge Code (4)	25.64.AT□	25.64.AT□	25.64.AT□	25.64.AT□
Principal Dimensions in mm				
Diameter	68	68	68	68
Height	132	132	132	132
Volume, cc	115	115	115	115
Weight, kg	0.53	0.53	0.53	0.53
Accessories				
Mounting Bracket	MBSS21	MBSS21	MBSS21	MBSS21

Notes

(1) Material abbreviations, PTFE = Polytetrafluoroethane

(2) Add suffix for other seal types, PTFE = .T, Chemraz = .C, Nitrile = N, Kalrez = .K, EPDM = .E, Silicone = .S, (e.g. FG211.221.T)

(3) Replace the □ with the grade required, e.g. 25.64.5CK, 25.64.T20

(4) Replace the □ with the type required, e.g. 25.64.AT01