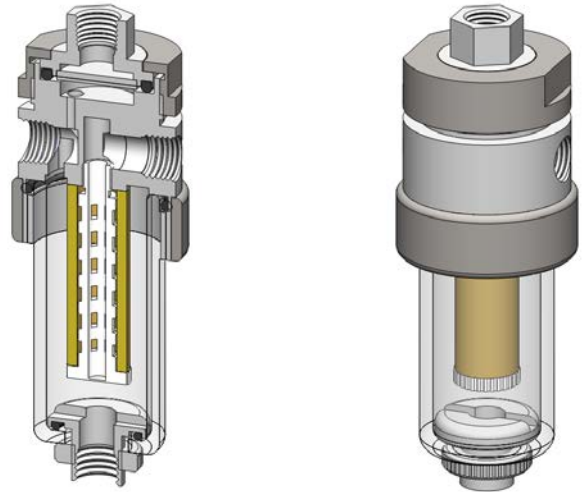


Materials	PTFE & Pyrex Glass
Pressure	7 Bar
Ports	1/8" or 1/4"
Element	12.57.□
Membrane	MT.33.□

FGM121 combination housings have a coalescing filter element and a PTFE membrane in a single unit.

The porous PTFE membrane is supported by a sintered porous PTFE disc on the outlet side. The wet sample gas enters the inlet port and then through the coalescing element to remove the bulk of the liquid and solid particles and then to the membrane. Any liquid in the gas sample will flow to the drain port. This port can also be used as a bypass function for the main flow.

Standard housings have NPT ports and include Viton seals. Other seal types are available as an option. BSPT and BSPP port types are also available.



Technical Specifications

Housing Model	FGM121.111	FGM121.221
Port Size	1/8" NPT	1/4" NPT
Drain & Bypass Ports	1/8" NPT	1/4" NPT
Maximum Pressure, Bar	7	7
Maximum Temperature, °C (1)	100	100
Materials of Construction (2)		
Head & Internals	PTFE	PTFE
Bowl	Pyrex	Pyrex
Seals (3)	Viton	Viton
Filter Element Code (4)	12.57.□	12.57.□
Membrane Code (5)	MT.33.□	MT.33.□
Principal Dimensions in mm		
Diameter	50	50
Height	145	145
Volume, cc	45	45
Weight, kg	0.6	0.6
Accessories		
Mounting Bracket	MBSM115	MBSM115

Notes

- (1) Maximum temperature of 100°C is due to the Pyrex bowl
- (2) Material abbreviations, PTFE = Polytetrafluoroethylene
- (3) Add suffix for other seal types, PTFE = .T, Chemraz = .C, Nitrile = N, Kalrez = .K, EPDM = .E, Silicone = .S, (e.g. FGM121.221.T)
- (4) Replace the □ with the element grade required, e.g. 12.57.5CK
- (5) Replace the □ with the membrane grade required, e.g. MT.33.M2