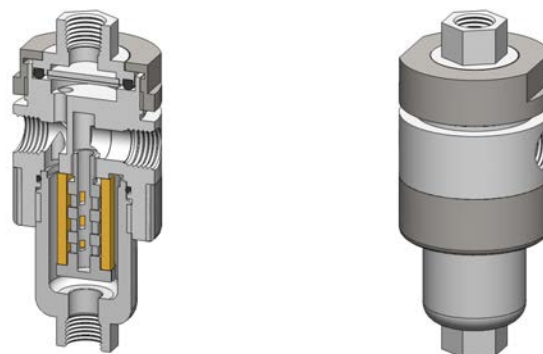


Materials	PTFE
Pressure	7 Bar
Ports	1/8" or 1/4"
Element	12.32.□
Membrane	MT.33.□

FM111 combination housings have a coalescing filter element and a PTFE membrane in a single unit.

The porous PTFE membrane is supported by a sintered porous PTFE disc on the outlet side. The wet sample gas enters the inlet port and then through the coalescing element to remove the bulk of the liquid and solid particles and then to the membrane. Any liquid in the gas sample will flow to the drain port. This port can also be used as a bypass function for the main flow.

Standard housings have NPT ports and include Viton seals. Other seal types are available as an option. BSPT and BSPP port types are also available.



Technical Specifications

Housing Model	FM111.111	FM111.221
Port Size	1/8" NPT	1/4" NPT
Drain & Bypass Ports	1/8" NPT	1/4" NPT
Maximum Pressure, Bar	7	7
Maximum Temperature, °C (1)	150	150
Materials of Construction (2)		
Head, Bowl & Internals	PTFE	PTFE
Seals (3)	Viton	Viton
Filter Element Code (4)	12.32.□	12.32.□
Membrane Code (5)	MT.33.□	MT.33.□
Principal Dimensions in mm		
Diameter	50	50
Height	110	110
Volume, cc	35	35
Weight, kg	0.9	0.9
Accessories		
Mounting Bracket	MBSM115	MBSM115

Notes

- (1) Maximum temperature 150°C using standard seal
- (2) Material abbreviations, PTFE = Polytetrafluoroethylene
- (3) Add suffix for other seal types, PTFE = .T, Chemraz = .C, Nitrile = N, Kalrez = .K, EPDM = .E, Silicone = .S, (e.g. FM111.221.T)
- (4) Replace the □ with the element grade required, e.g. 12.32.5CK
- (5) Replace the □ with the membrane grade required, e.g. MT.33.M2