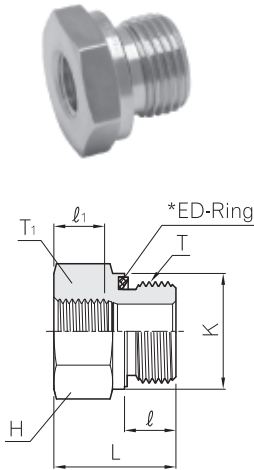


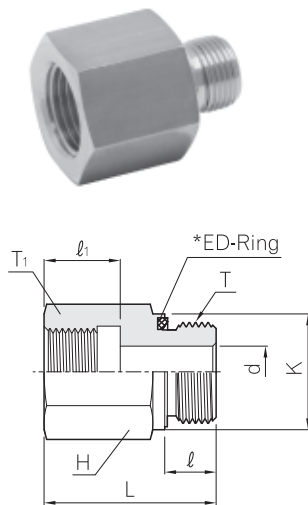
Male Female Adaptor (BSP Paralled) with *ED-Ring
H-MFAD-ED



Form E stud end

Part No.	H	K	L	l	l ₁	Male stud T G(PF)	Female stud T ₁ G(PF)	PN(bar)	
								Steel	SS316
H-MFAD 6ED - 2G	22	22	22.5	12	8	3/8	1/8	400	400
H-MFAD 8ED - 2G	27	26	24.0	14	8	1/2	1/8	400	400
H-MFAD 8ED - 4G	27	26	24.0	14	12	1/2	1/4	400	400
H-MFAD 12ED - 4G	32	32	26.0	16	12	3/4	1/4	315	315
H-MFAD 12ED - 6G	32	32	26.0	16	12	3/4	3/8	315	315
H-MFAD 16ED - 4G	41	39	29.0	18	12	1	1/4	315	315
H-MFAD 16ED - 6G	41	39	29.0	18	12	1	3/8	315	315
H-MFAD 16ED - 8G	41	39	29.0	18	14	1	1/2	315	315
H-MFAD 20ED - 8G	50	49	32.0	20	14	1 1/4	1/2	315	315
H-MFAD 20ED - 12G	50	49	32.0	20	16	1 1/4	3/4	315	315
H-MFAD 24ED - 8G	55	55	36.0	22	14	1 1/2	1/2	250	250
H-MFAD 24ED - 12G	55	55	36.0	22	16	1 1/2	3/4	250	250
H-MFAD 24ED - 16G	55	55	36.0	22	18	1 1/2	1	250	250

Male Female Adaptor (BSP Paralled) with *ED-Ring
H-MFAE-ED



Form E stud end

Part No.	d	H	K	L	l	l ₁	Male stud T G(PF)	Female stud T ₁ G(PF)	PN(bar)	
									Steel	SS316
H-MFAE 2ED- 4G	4	19	14	31	8	17.0	1/8	1/4	400	400
H-MFAE 2ED- 6G	4	24	14	32	8	17.0	1/8	3/8	400	400
H-MFAE 4ED- 2G	5	19	18	28	12	12.0	1/4	1/8	400	400
H-MFAE 4ED- 6G	5	24	18	36	12	17.0	1/4	3/8	400	400
H-MFAE 4ED- 8G	5	30	18	40	12	20.0	1/4	1/2	400	400
H-MFAE 4ED-12G	5	36	18	43	12	22.0	1/4	3/4	400	400
H-MFAE 6ED- 4G	8	22	22	36	12	17.0	3/8	1/4	400	400
H-MFAE 6ED- 8G	8	30	22	41	12	20.0	3/8	1/2	400	400
H-MFAE 6ED-12G	8	36	22	44	12	22.0	3/8	3/4	315	315
H-MFAE 8ED- 6G	12	27	26	36	14	17.0	1/2	3/8	400	400
H-MFAE 8ED-12G	12	36	26	46	14	22.0	1/2	3/4	315	315
H-MFAE 8ED-16G	12	41	26	49	14	24.5	1/2	1	315	315
H-MFAE 8ED-20G	10	55	26	53	14	26.5	1/2	1 1/4	315	315
H-MFAE 12ED- 8G	16	32	32	41	16	20.0	3/4	1/2	315	315
H-MFAE 12ED-16G	16	41	32	51	16	24.5	3/4	1	315	315
H-MFAE 12ED-20G	16	55	32	55	16	26.5	3/4	1 1/4	315	315
H-MFAE 12ED-24G	16	60	32	57	16	28.5	3/4	1 1/2	250	250
H-MFAE 16ED-12G	20	41	39	47	18	22.0	1	3/4	315	315
H-MFAE 16ED-20G	20	55	39	57	18	26.5	1	1 1/4	315	315
H-MFAE 16ED-24G	20	60	39	59	18	28.5	1	1 1/2	250	250
H-MFAE 20ED-16G	25	50	49	52	20	24.5	1 1/4	1	315	315
H-MFAE 20ED-24G	25	60	49	60	20	28.5	1 1/4	1 1/2	250	250
H-MFAE 24ED-20G	32	55	55	58	22	26.5	1 1/2	1 1/4	250	250
H-MFAE 32ED-24G	40	70	68	62	24	28.5	2	1 1/2	160	

All dimensions are in millimeters for reference only, subject to change.

* The standard ED-Ring material is NBR(e.g. perbunan®) however FPM(e.g. Viton®) is also available on Request (See Page3).