

## HPI 100P

### High purity – one side supply panel

The HPI 100P is a high purity gas supply panel. Manual adjustment of the regulator allow the user to set downstream pressure. The system includes purge function. Designed for applications where a slight rise in delivery pressure from full to empty cylinder can be tolerated or as first stage of pressure reduction.

#### APPLICATIONS:

- Laboratory pressure control
- Research sample systems gases
- Component testing
- Petrochemical industry
- Emission monitoring systems
- Controlled atmosphere
- Service & test equipment

#### FEATURES:

- Recommended for non-corrosive gases purity levels up to grade 6.0 (99.9999)
- Wall mounting panel and brackets included
- Ready to install wall mounting panel
- 316L stainless steel diaphragm eliminates contamination from diffusion or outgassing
- Purge function and diaphragm shut-off valves for the best results
- Possible to connect 2 gas cylinders or gas cylinder and a gas for purging operation
- HPI 100PC - chrome plated body, bonnet and fittings
- HPI 100PS - 316L stainless steel body, bonnet and fittings
- $1 \times 10^{-9}$  mbar l/s He inboard helium leak rate to maintain gas purity levels
- Inlet / outlet - 1/4" FNPT
- Maximum inlet pressure 300 bar (4350 psig)
- External relief valve standard
- Cleaned for oxygen service

#### TECHNICAL DATA:

Panel type	One side
Regulator type	Single stage
Purity	Up to 6.0
Inlet pressure	Max. 300 bar (4350 psi)
Outlet pressure	2/4/10/20 bar (29/58/145/290 psi) 50/100/200 bar (720/1450/2900 psig)
Purge function	Yes
Oxygen use	Suitable

#### MATERIALS:

Body, bonnet	316L stainless steel barstock or chrome plated brass barstock
Diaphragm (regulator)	Hastelloy®*C276
Diaphragm (valve)	Elgiloy®**
Nozzle	316L stainless steel
Seat	PEEK
Seals O-ring	Viton®*** (FKM)
Filter	SS 316L
Adjusting Knob	ABS plastic

\* Hastelloy® is a registered trademark name of Haynes International, Inc

\*\*Elgiloy® a registered trademark of Elgiloy Specialty Metals

\*\*\* Viton® is a registered trademark of The Chemours Company



Model shown with additional accessories to be ordered separately

#### RELATED OPTIONS:

4302085	ALARM, 1 connection
4302086	ALARM, 2 connections
4302087	ALARM, 4 connections
4302088	ALARM, 6 connections
4302089	ALARM, 10 connections

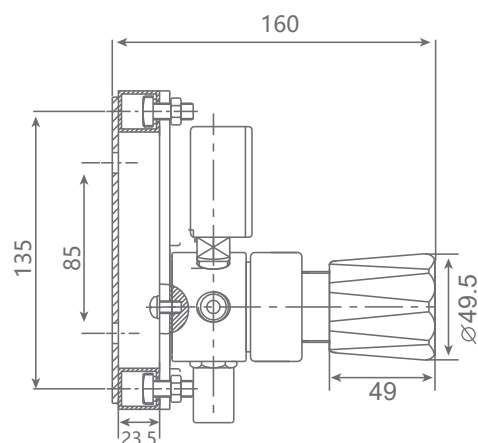
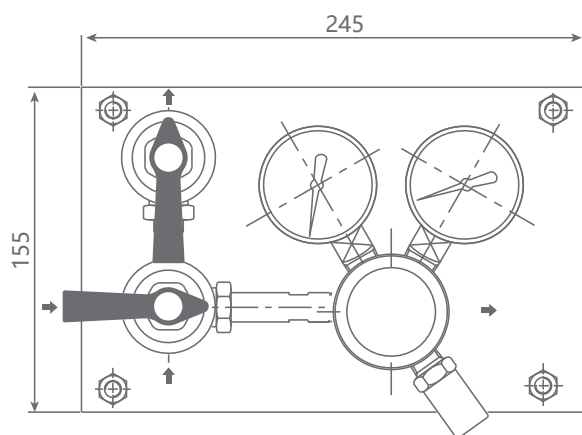
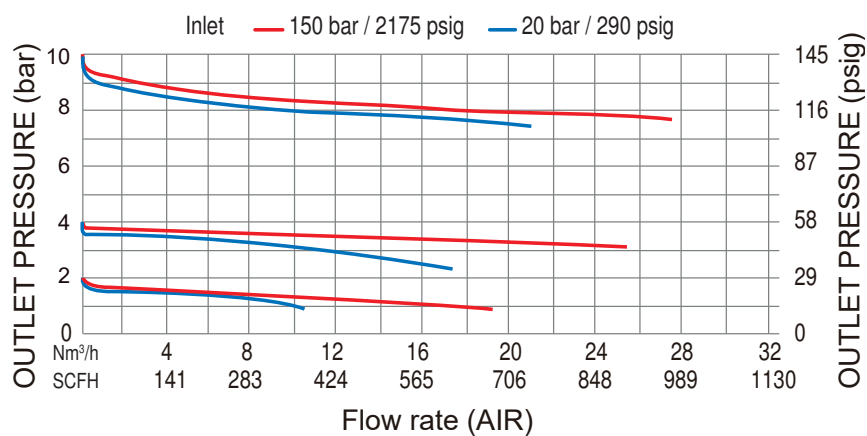


## SPECIFICATIONS:

Inlet / outlet ports	1/4" FNPT
Weight	3,3 kg
Temperature range	-30°C to +74°C

## FLOW CHART:

### HPI 100P



## ORDERING INFORMATION:

MODEL	MATERIAL	OUTLET PRESSURE	GAS TYPE
HPI 100PC	Chrome plated brass	0 - 2 bar 029	Please specify
		0 - 29 psig	
HPI 100PS	Stainless steel	0 - 4 bar 058	
		0 - 58 psig	
		0 - 10 bar 145	
		0 - 145 psig	
		0 - 20 bar 290	
		0 - 290 psig	

For example:

HPI 100PC 290 N<sub>2</sub>