

HPI 130P

High purity one side supply panel with two-stage regulator

The HPI 130P is a high purity two-stage gas supply panel available in chrome plated brass (HPI 130PC) or stainless steel (HPI 130PS) barstock for pressure control of non-corrosive gases. Manual adjustment of the regulator allow the user to set downstream pressure. The system includes purge function. Designed for constant delivery pressure from full to near empty cylinder conditions.

APPLICATIONS:

- High purity gas applications
- Research sample systems gases
- Gas chromatography
- Calibration gas
- Process analyzer gases
- Emission monitoring systems
- Laser applications

FEATURES:

- Recommended for non-corrosive gases purity levels up to grade 6.0 (99.9999)
- Wall mounting panel and brackets included
- Ready to install wall mounting panel
- 316L stainless steel diaphragm eliminates contamination from diffusion or outgassing
- Purge function and diaphragm shut-off valves for the best results
- Possible to connect 2 gas cylinders or gas cylinder and a gas for purging
- HPI 130PC - chrome plated body, bonnet and fittings
- HPI 130PS - 316L stainless steel body, bonnet and fittings
- 1×10^{-9} mbar l/s He inboard helium leak rate to maintain gas purity levels
- Inlet / outlet - 1/4" FNPT
- Maximum inlet pressure 300 bar (4350 psig)
- Cleaned for oxygen service

TECHNICAL DATA:

Panel type	One side
Regulator type	Two-stage
Purity	Up to 6.0
Inlet pressure	Max. 300 bar (4350 psi)
Outlet pressure	2/4/10/20 bar (29/58/145/290 psi)
Purge function	Yes
Oxygen use	Suitable

MATERIALS:

Body, bonnet	316L stainless steel barstock or chrome plated brass barstock
Diaphragm (regulator)	Hastelloy®*C276
Diaphragm (valve)	Elgiloy®**
Nozzle	316L stainless steel
Seat	PEEK
Seals O-ring	Viton®*** (FKM)
Filter	SS 316L
Adjusting Knob	ABS plastic

* Hastelloy® is a registered trademark name of Haynes International, Inc

**Elgiloy® a registered trademark of Elgiloy Specialty Metals

*** Viton® is a registered trademark of The Chemours Company



Model shown with additional accessories to be ordered separately

RELATED OPTIONS:

4302085	ALARM, 1 connection
4302086	ALARM, 2 connections
4302087	ALARM, 4 connections
4302088	ALARM, 6 connections
4302089	ALARM, 10 connections

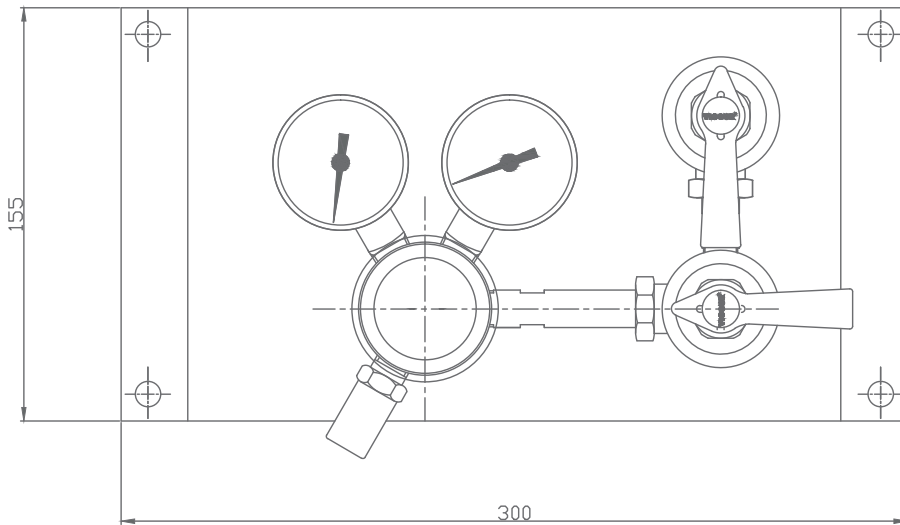
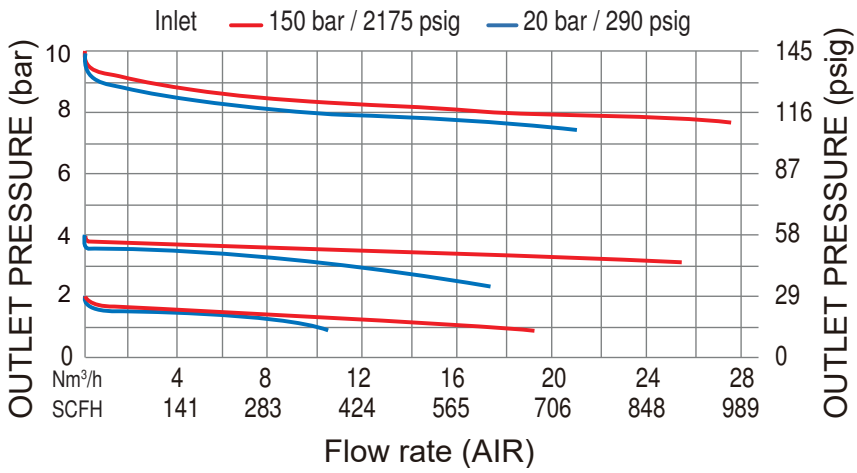


SPECIFICATIONS:

Inlet / outlet ports	1/4" FNPT
Weight	4,4 kg
Temperature range	-30°C to +74°C

FLOW CHART:

HPI 130P



ORDERING INFORMATION:

MODEL	MATERIAL	OUTLET PRESSURE	GAS TYPE
HPI 130PC	Chrome plated brass	0 - 2 bar 0 - 29 psig	Please specify
HPI 130PS	Stainless steel	0 - 4 bar 0 - 58 psig	
		0 - 10 bar 0 - 145 psig	
		0 - 20 bar 0 - 290 psig	

For example:

HPI 130PC 145 N₂