

HPI 301TP

High purity – wall mounted point of use

Model HPI 301TP is a wall mounted point of use regulator available in chrome plated brass (HPI 301TPC) or stainless steel (HPI 301TPS) barstock for pressure control of non-corrosive gases.

APPLICATIONS:

- High purity gas applications
- Research sample systems gases
- Gas chromatography
- Calibration gas
- Process analyzer gases

FEATURES:

- Recommended for non-corrosive gases purity levels up to grade 6.0 (99.9999)
- Ready to install wall mounting panel, modular design
- 1 inlet port configuration - top
- 1 outlet port configuration - bottom
- 316L stainless steel diaphragm eliminates contamination from diffusion or outgassing
- Diaphragm inlet shut-off valves
- HPI 301TPC - chrome plated body, bonnet and fittings
- HPI 301TPS - 316L stainless steel body, bonnet and fittings
- 1×10^{-9} mbar l/s He inboard helium leak rate to maintain gas purity levels
- Inlet / outlet - 1/4" FNPT
- Maximum inlet pressure 60 bar (870 psig)
- Cleaned for oxygen service

TECHNICAL DATA:

Regulator type	Single stage
Purity	Up to 6.0
Inlet pressure	Max. 60 bar (870 psi)
Outlet pressure	2/4/10 bar (29/58/145 psi) 20 bar (290 psig)
Flow capacity	Cv = 0,12
Oxygen use	Suitable

MATERIALS:

Body, bonnet	316L stainless steel barstock or chrome plated brass barstock
Diaphragm (regulator)	Hastelloy®*C276
Diaphragm (valve)	Hastelloy®*C276
Nozzle	316L stainless steel
Seat	PEEK
Seals O-ring	Viton®** (FKM)
Filter	SS 316L
Adjusting Knob	ABS plastic

* Hastelloy® is a registered trademark name of Haynes International, Inc
** Viton® is a registered trademark of The Chemours Company



Model shown with additional accessories to be ordered separately

RELATED OPTIONS:

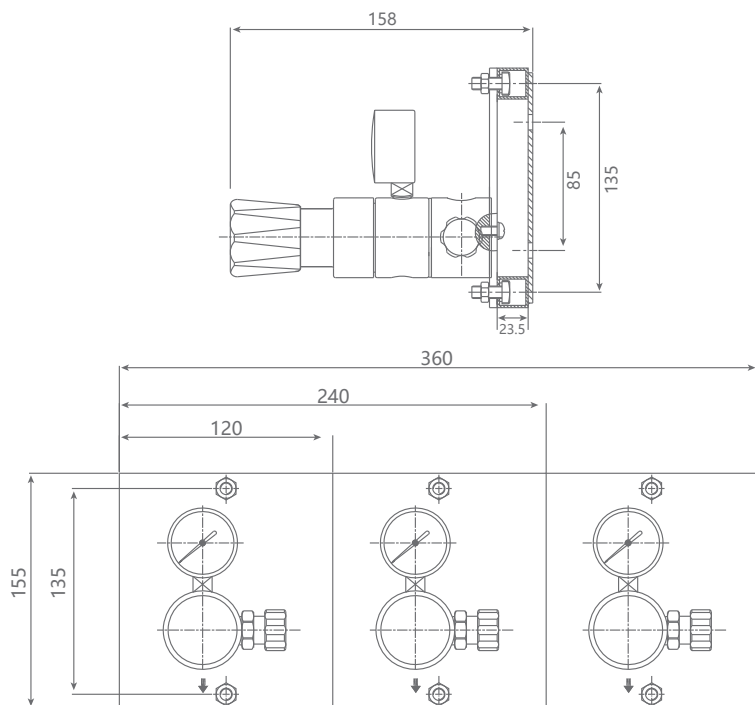
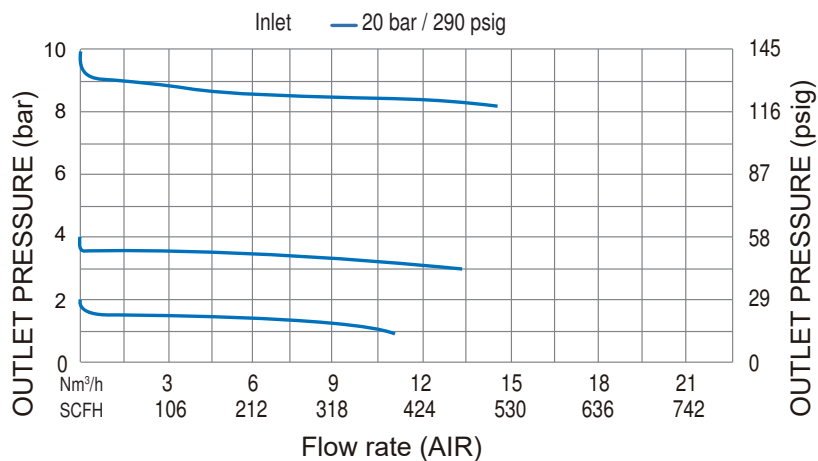
Wall mounting Bracket: HPI-L-BPB



SPECIFICATIONS:

Inlet / outlet ports	1/4" FNPT
Weight	1,16 kg
Temperature range	-30°C to +74°C

FLOW CHART: HPI 301TP



ORDERING INFORMATION:

MODEL	MATERIAL	OUTLET PRESSURE	INLET CONNECTION	OUTLET CONFIGURATION	GAS TYPE
HPI 301TPC	Chrome plated brass	0 - 2 bar 0 - 29 psig	1/4" FNPT	1/4" FNPT A	Please specify
HPI 301TPS	Stainless steel	0 - 4 bar 0 - 58 psig	1/4" tube fitting	1/4" tube fitting D	
		0 - 10 bar 0 - 145 psig	6 mm tube fitting	1/8" tube fitting E	
				6 mm tube fitting F	
				Wall mounting Bracket P	

For example:

HPI 301TPC 145 000 E N₂