

HPI 400L

High purity and ultra-high flow – single stage barstock regulator

Model HPI 400L is a high flow regulator.

In-line manifold regulator available in chrome plated brass (HPI 400LC) or stainless steel (HPI 400LS) barstock for pipeline and other applications of non-corrosive gases up to 40 bar (580 psig) inlet pressure.

APPLICATIONS:

- Non-corrosive high flow gas applications
- Laser assist gases
- Pressure transfer
- Blanketing & high flow manifolds
- Bulk gas distribution systems
- Pharmacy industry
- Food industry
- Petrochemical industry

FEATURES:

- Recommended for non-corrosive gases purity levels up to grade 6.0 (99.9999) and delivery pressures up to 20 bar (290 psig)
- Low pressure and high flow regulator
- Nylon reinforced diaphragm
- HPI 400LC - chrome plated body, bonnet and fittings
- HPI 400LS - 316L stainless steel body, bonnet and fittings
- 1×10^{-4} mbar l/s He inboard helium leak rate to maintain gas purity levels
- The 1/8" NPT thread on the bonnet venting for safety in 316L SS version
- Maximum inlet pressure 40 bar (290 psig)
- Cleaned for oxygen service

TECHNICAL DATA:

Type	Single stage
Purity	Up to 6.0
Inlet pressure	Max. 40 bar (580 psi)
Outlet pressure	2/4/10/20 bar (29/58/145/290 psi)
Flow capacity	Cv = 5,1
Oxygen use	Suitable

MATERIALS:

Body, bonnet	316L stainless steel barstock or chrome plated brass barstock
Diaphragm	Nylon reinforced
Nozzle	316L stainless steel
Seat	Buna-N
Adjusting Knob	Aluminium

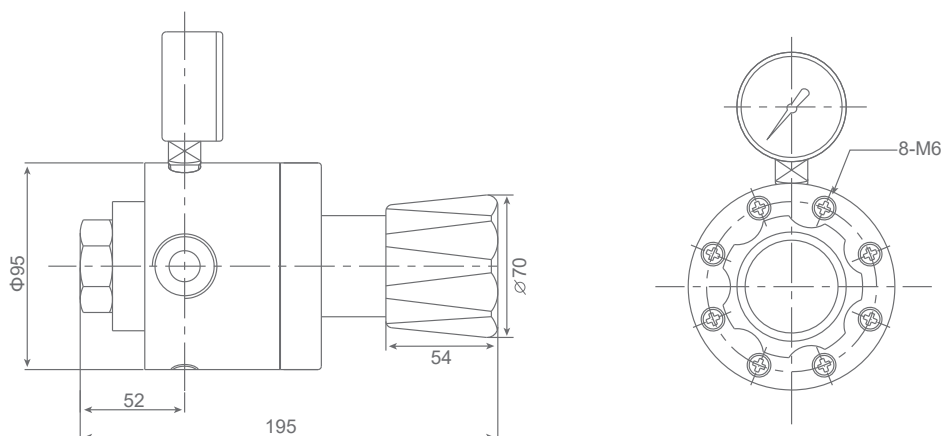
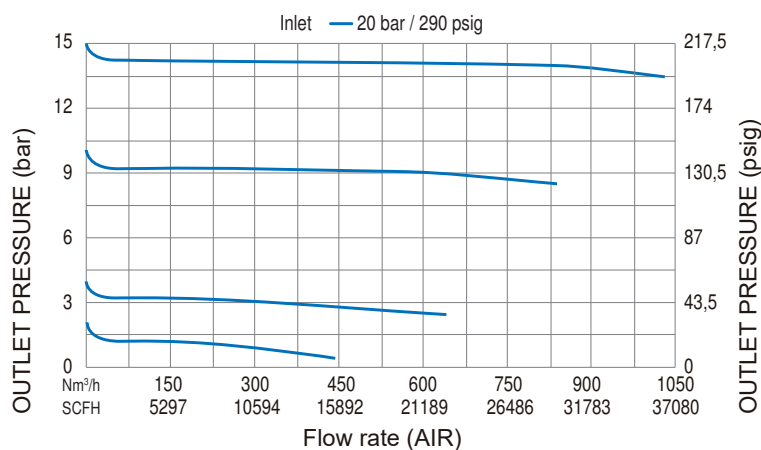


Model shown with additional accessories to be ordered separately

SPECIFICATIONS:

Inlet / outlet ports	1" FNPT
Other ports	1/4" FNPT
Weight	4,1 kg
Temperature range	-15°C to +74°C

FLOW CHART: HPI 400L



ORDERING INFORMATION:

MODEL	MATERIAL	INLET CONFIGURATION	OUTLET PRESSURE	INLET CONNECTION	OUTLET CONFIGURATION	OPTIONS	GAS TYPE
HPI 400LC	Chrome plated brass	Right R	0 - 2 bar 0 - 29 psig	1" FNPT 000	1" FNPT A	He leak cert. (inboard) 2	Please specify
HPI 400LS	Stainless steel	Left L	0 - 4 bar 0 - 58 psig	1" FNPT 000	1" FNPT A	No gauges 3	Please specify
			0 - 10 bar 0 - 145 psig			He leak cert. (outboard) 5	
			0 - 20 bar 0 - 290 psig				

For example:

HPI 400LC R 145 000 A 2 N₂