

HPI 600

High purity and high pressure single stage cylinder regulator

The Model HPI 600 is a single stage barstock high pressure regulator that is designed to deliver high outlet pressure when used on high pressure cylinders up to 300 bar (4350 psig). Regulator is available in chrome plated brass (HPI 600C) or stainless steel (HPI 600S) barstock for pressure control of non-corrosive gases.

APPLICATIONS:

- Non-corrosive high pressure gas applications
- High pressure testing
- Charging accumulators
- Pressurizing aircraft struts

FEATURES:

- Recommended for non-corrosive gases purity levels up to grade 6.0 (99.9999)
- 316L stainless steel diaphragm eliminates contamination from diffusion or outgassing
- HPI 600C - chrome plated body, bonnet and fittings
- HPI 600S - 316L stainless steel body, bonnet and fittings
- 1×10^{-9} mbar l/s He inboard helium leak rate to maintain gas purity levels
- 6 ports flexible configuration, 3 high pressure and 3 low pressure
- The 1/8" NPT thread on the bonnet venting for safety in 316L SS version
- Maximum inlet pressure 300 bar (4350 psig)
- Cleaned for oxygen service

TECHNICAL DATA:

Type	Single stage
Purity	Up to 6.0
Inlet pressure	Max. 300 bar (4350 psi)
Outlet pressure	50/100/200 bar (720/1450/2900 psi)
Flow capacity	$C_v = 0,15$
Oxygen use	Suitable

MATERIALS:

Body, bonnet	316L stainless steel barstock or chrome plated brass barstock
Diaphragm	Hastelloy [®] *C276
Nozzle	316L stainless steel
Seat	PEEK
Seals O-ring	Viton [®] ** (FKM)
Filter	SS 316L
Adjusting Knob	ABS plastic



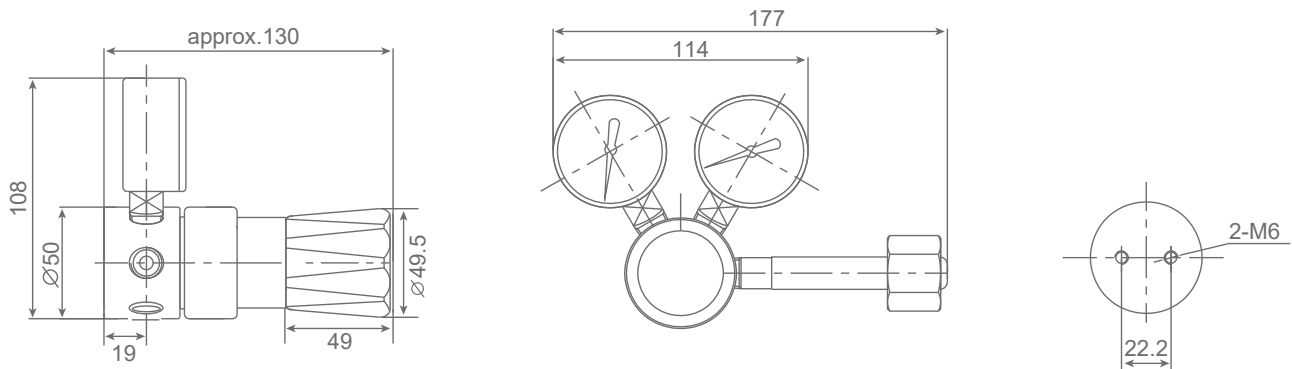
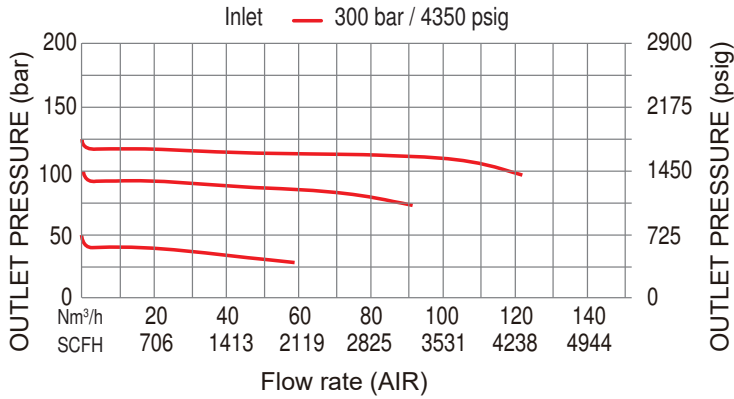
Model shown with additional accessories to be ordered separately

* Hastelloy[®] is a registered trademark name of Haynes International, Inc
** Viton[®] is a registered trademark of The Chemours Company

SPECIFICATIONS:

Inlet port / outlet ports	1/4" FNPT
Weight	1,2 kg
Temperature range	-30°C to +74°C

FLOW CHART: HPI 600



ORDERING INFORMATION:

MODEL	MATERIAL	INLET CONFIGURATION	INLET CONNECTION	OUTLET PRESSURE	OUTLET CONFIGURATION	OPTIONS	GAS TYPE				
HPI 600C	Chrome plated brass	Right (standard)	R	0 - 50 bar 0 - 720 psig	1/4" FNPT	000	1/4" FNPT A	He leak cert. 2 (inboard)	2	Please specify	
HPI 600S	Stainless steel	Left	L	0 - 100 bar 0 - 1450 psig	1450	DIN 477	1/4" tube fitting	D	No gauges	3	
				0 - 200 bar 0 - 2900 psig	2900	CGA	6 mm tube fitting	F	He leak cert. 5 (outboard)	5	
				200 bar with 316L body only		AFNOR					
						BS341					
						UNI					
		NBN									
		NEN 3268									

For example:

HPI 600C R 720 000 A 2 Ar