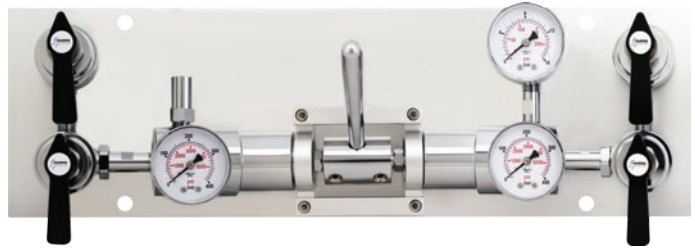


HPI 800P

High purity semi-automatic switchover supply panel

The HPI 800P is a semi-automatic high purity switchover panel which prevents downtime by automatically switching gas supply from the primary cylinder bank to the reserve cylinder. The user resets the primary bank by turning the knob. Outlet pressure is factory pre-set.



Model shown with additional accessories to be ordered separately

APPLICATIONS:

- Laboratory pressure control
- Research sample systems gases
- Component testing
- Petrochemical industry
- Emission monitoring systems
- Controlled atmosphere
- Service & test equipment

FEATURES:

- Recommended for non-corrosive gases purity levels up to grade 6.0 (99.9999)
- Wall mounting panel and brackets included
- Ready to install wall mounting panel
- 316L stainless steel diaphragm eliminates contamination from diffusion or outgassing
- Purge function and diaphragm shut-off valves for the best results
- Possible to connect 2 gas cylinders or gas cylinder and a gas for purging operation
- HPI 800PC - chrome plated body, bonnet and fittings
- HPI 800PS - 316L stainless steel body, bonnet and fittings
- 1×10^{-9} mbar l/s He inboard helium leak rate to maintain gas purity levels
- Inlet / outlet - 1/4" FNPT
- Maximum inlet pressure 300 bar (4350 psig)
- Cleaned for oxygen service

TECHNICAL DATA:

Panel type	Semi-automatic switchover supply panel
Regulator type	Single stage
Purity	Up to 6.0
Inlet pressure	Max. 300 bar (4350 psi)
Outlet pressure	2/4/10/20 bar (29/58/145/290 psi)
Purge function	Yes
Oxygen use	Suitable

MATERIALS:

Body, bonnet	316L stainless steel barstock or chrome plated brass barstock
Diaphragm (regulator)	Hastelloy®*C276
Diaphragm (valve)	Elgiloy®**
Nozzle	316L stainless steel
Seat	PEEK
Seals O-ring	Viton®*** (FKM)
Filter	SS 316L
Adjusting Knob	Aluminium

* Hastelloy® is a registered trademark name of Haynes International, Inc

**Elgiloy® a registered trademark of Elgiloy Specialty Metals

*** Viton® is a registered trademark of The Chemours Company

RELATED OPTIONS:

4302085	ALARM, 1 connection
4302086	ALARM, 2 connections
4302087	ALARM, 4 connections
4302088	ALARM, 6 connections
4302089	ALARM, 10 connections



EXTENSIONS:

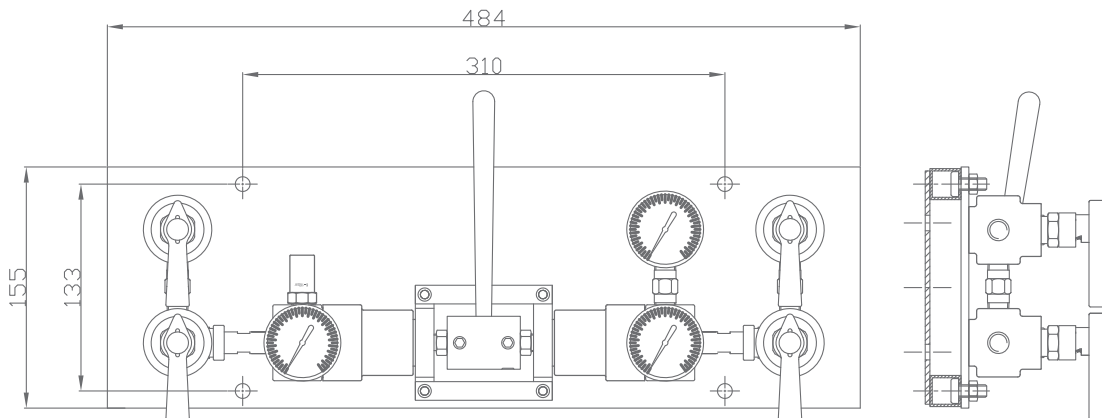
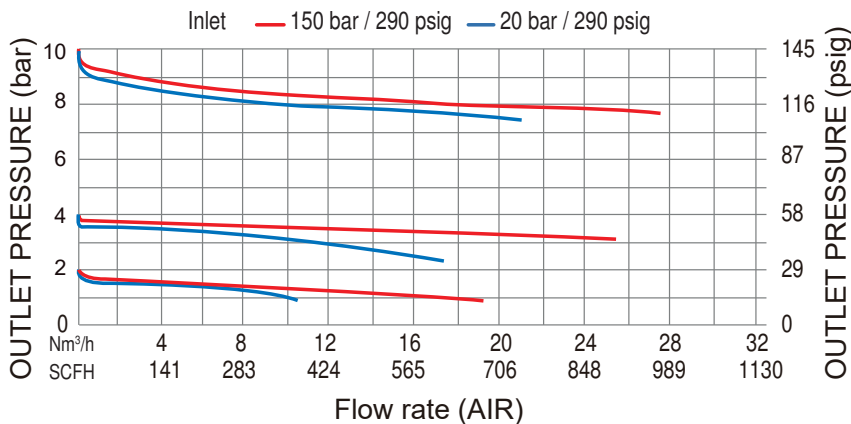


See page 69

SPECIFICATIONS:

Inlet / outlet ports	1/4" FNPT
Weight	4,8 kg
Temperature range	-30°C to +74°C

FLOW CHART: HPI 800P



ORDERING INFORMATION:

MODEL	MATERIAL	OUTLET PRESSURE	GAS TYPE
HPI 800PC	Chrome plated brass	2 bar 29 psig	Please specify
HPI 800PS	Stainless steel	4 bar 58 psig	
		10 bar 145 psig	
		20 bar 290 psig	

For example:

HPI 800PC 145 N₂