

Valves

HPI DV300

High purity, high pressure diaphragm valve

FEATURES:

- Max. inlet pressure 300 bar (4350 psig)
- 1/2 turn
- Very high leak tightness
- Metal to metal sealing to atmosphere
- Made of 316L stainless steel for corrosive gases
- Made of chrome plated brass for non-corrosive gases and mixture up to 6.0

TECHNICAL DATA:

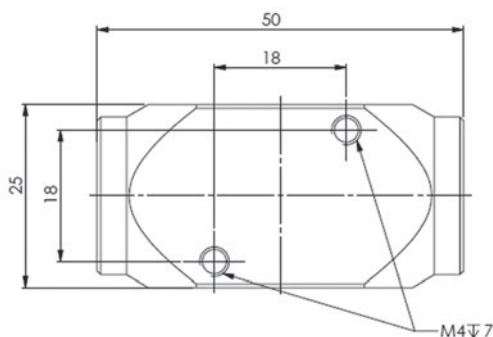
| | |
|-------------------------|--------------------------|
| Purity | Up to 6.0 |
| Inlet pressure | Max. 300 bar (4350 psig) |
| Inlet/outlet connection | 1/4 FNPT |
| Oxygen use | Suitable |



Model shown with additional accessories to be ordered separately

MATERIAL SPECIFICATIONS:

| | |
|---------------|----------------------------------|
| Seals | Metal to metal |
| Leak rate | $2,0 \times 10^{-8}$ mbar l/s He |
| Flow capacity | $C_v = 0,13$ |



RELATED OPTION:

Nipple connector 1/4" NPT

9574RM

1/4" NPT male

1/4" NPT male

Chrome plated brass

957X4R

1/4" NPT male

1/4" NPT male

Stainless steel 316L

ORDERING INFORMATION:

PART NO.

9105190

9105191

CONNECTION INLET

1/4" NPT female

1/4" NPT female

CONNECTION OUTLET

1/4" NPT female

1/4" NPT female

BODY MATERIAL

Chrome plated brass

Stainless steel 316L

* Elgiloy® a registered trademark of Elgiloy Specialty Metals