

Line regulator LM52^{exact}-6

spectro lab



Line regulator
LM52^{exact}-6

Specifications

- SPECTROLAB-components guarantee maximum quality by using high grade materials and a quality assurance program acc. to ISO 9001.
- All parts in the gas wetted surface area are cleaned in an ultrasonic cleaning system (CFC-free) with the special Cleaning process SPECTRO-CLEAN® and then baked out.
- SPECTROLAB-components undergo a 100% function- and Helium-leak-test.

Product features

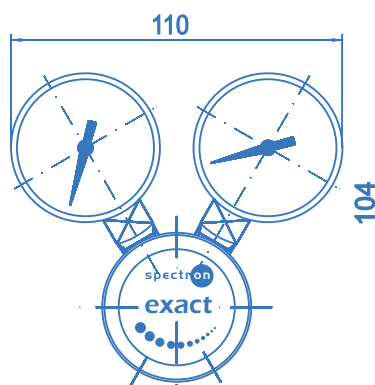
- Brass (chrome plated) line pressure regulator
- Extremely stable outlet pressure by applied extremely accurate Technology "exact" and anti- vibration device
- For non-corrosive gases and gas mixtures up to quality 6.0
- 6 ports for flexible and individual configuration
- Suitable for inlet pressures up to 300 bar
- Max. outlet pressures 1.5 up to 20 bar
- Light weight
- Compact design
- Metal-to-metal seal to atmosphere
- Suitable for ECD-applications
- Pressure regulator can be evacuated
- Central filter
- Approved for use with oxygen
- Simple outlet pressure limitation by handwheel
- Easy to install
- New laboratory-style design
- Ergonomically designed

exact = extremely accurate technology

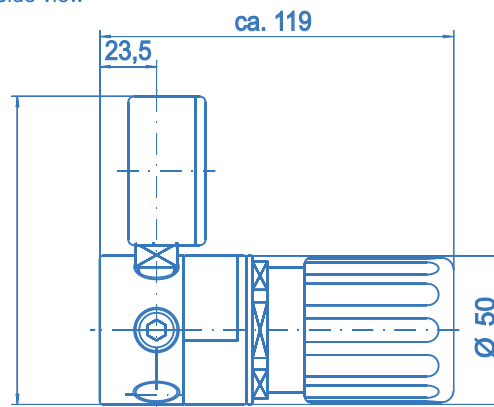
Technical data

Type	single-stage EXACT
Inlet pressure P₁	max. 300 bar
Outlet pressure P₂	1.5 / 4 / 10 / 20 bar
Materials	
Body regulator, relief valve:	chrome plated brass
Valve seat:	PA
Diaphragm:	Hastelloy C276
Soft goods:	EPDM
Filter:	Sintered SS 316L
In- and outlets	1/4" NPT female
Temperature range	-30°C to +60°C
Leak rate (to atmosphere)	1x10 ⁻⁸ mbar l/s He
(via seat)	1x10 ⁻⁶ mbar l/s He
Pressure gauge	Safety pressure gauges ISO5171/KI1.6/NG50
Flow capacity	C _v =0.16
Weight	1.1 kg

Dimensions
LM52^{exact}-6



Side view



Line regulator LM52^{exact}-6

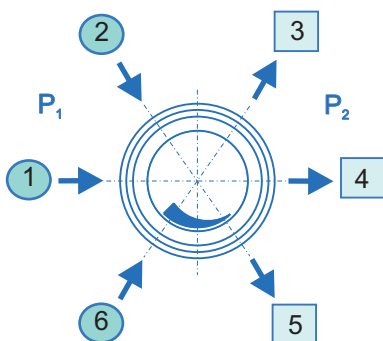


Ordering information:

Line regulator LM52^{exact}-6

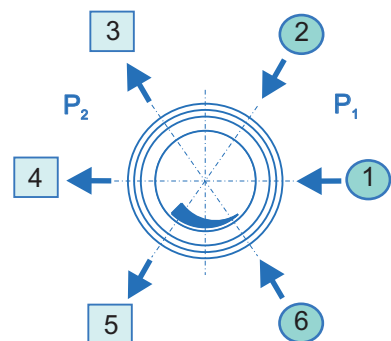
In- / outlets

- CM 1/4 - 1/8" / 1/4" / 1/2" - OD compression fitting (brass)
- CM 6 - 3 / 6 / 8 / 10 / 12 mm compression fitting (brass)
- CE 1/4 - 1/8" / 1/4" / 1/2" - OD compression fitting (stainless steel)
- CE 6 - 3 / 6 / 8 / 10 / 12 mm compression fitting (stainless steel)
- B - plug
- A - relief valve - 1/4"-NPT-F
- K - contact gauge
- M - pressure gauge
- 0 - 1/4"-NPT-F (port only)



Inlet left: **L**

LM52 - 6 - L - 300 - 20 - 1 - 2 - 3 - 4 - 5 - 6 - N2



Inlet right: **R**

Inlet

- L - left
- R - right

Inlet pressure P₁

- 100 - max. 100 bar
- 200 - max. 200 bar
- 300 - max. 300 bar

Outlet pressure P₂

- 1,5 - to 1.5 bar
- 4 - to 4 bar
- 10 - to 10 bar
- 20 - to 20 bar

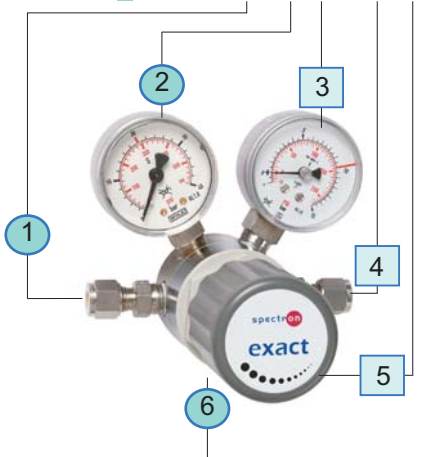
Type of gas

Please specify type of gas (for selection of valve seat materials)

For inlet pressure up to 50 bar and outlet pressure of max. 1,5 or 4 bar please use M51

Ordering example:

LM52-6-L-20-10-CE6-M-M-CE6-A-B-N2



Ordering example:

LM52-6-R-200-10-0-M-M-CE1/8-A-B-Ar

