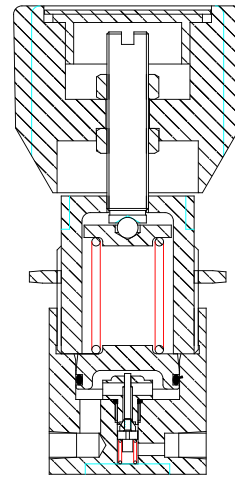


MINI-300 SERIES

Compact 'Low Flow' regulator



The MINI-300 provides an economical, lightweight, and versatile regulator range, designed for customers who want accurate control from a compact unit.

The standard units utilise two piston sensing options to allow pressure control from 5psi to 1000psi (and a modified version up to 3000psi).

TYPICAL APPLICATIONS:

- † Analyser systems
- † Point of Use
- † Instrumentation control
- † Gas Sticks
- † Lecture bottle assembly.

FEATURES:

- 38mm diameter body provides small foot space.
- Fully supported 'sensitive' pistons with low pressure and high-pressure outlet options.
- Low internal volume.
- All 316SS wetted parts including bonnet with panel mounting as standard
- 'Soft' seating area perpendicular to flow stream to minimise particle damage.

OPTIONS:

- '003' Mod of 210bar outlet range
- Handknob or Thumbwheel adjustment
- Dome loaded

NOTE: Product availability and specifications contained herein are subject to change without notice. Consult local distributor or factory for potential revisions and/or service related issues. // pg 1 of 2

PRESSURE TECH LTD, Unit 6, Graphite Way, Hadfield, Glossop, Derbyshire SK13 1QG
 Tel: +44 (0)1457 899307 Fax: +44 (0)1457 899308
 e-mail: info@pressure-tech.com

www.pressure-tech.com



Designed and built in the UK



MINI-300 SERIES

Compact 'Low Flow' regulator

ORDERING INFORMATION:

*STANDARD SPECIFICATION:

Body and wetted parts: 316st.st

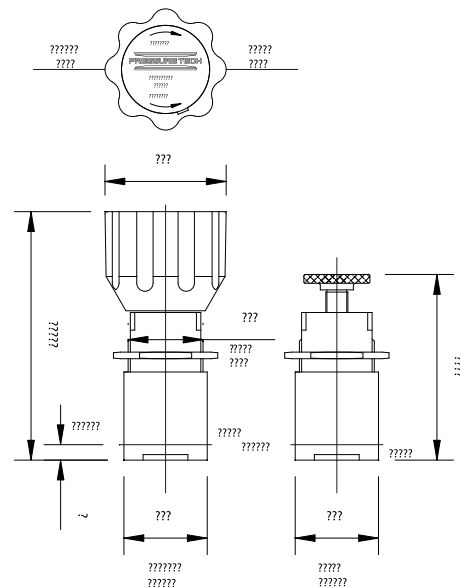
Bonnet: 316st.st.

Seat: PCTFE

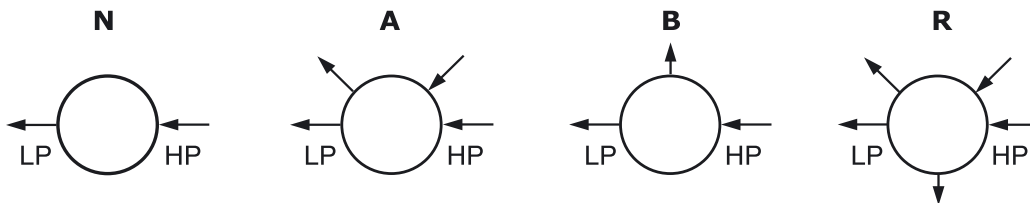
Connections: 1/8" NPT

'O' ring material: Viton

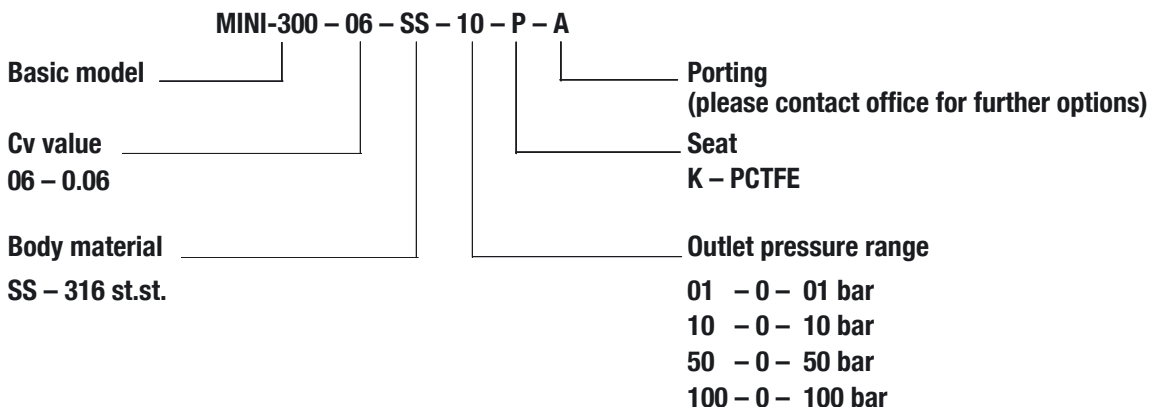
*Changes can be made to suit individual needs – please refer to our sales office to discuss specific requirements.



EXAMPLE PORTING OPTIONS:



MODEL ORDERING INFORMATION:



NOTE: Product availability and specifications contained herein are subject to change without notice. Consult local distributor or factory for potential revisions and/or service related issues. // pg 2 of 2