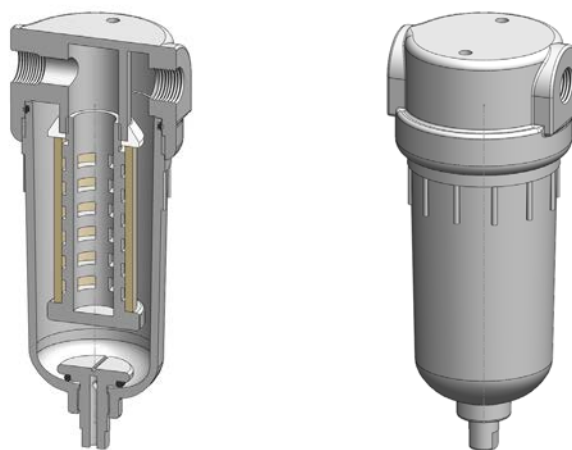


Materials Polypropylene
Pressure 7 Bar
Ports 1/4" or 1/2"
Element 25.64.□

PP211 series filter housings are constructed entirely from polypropylene. They are supplied with 1/4" or 1/2" ports and have a range of drain options.

These housings are specified where a good chemical resistance is required.

Standard housings have NPT ports and a Viton seal. Other seal types are available as an option. BSPT and BSPP port types are also available.



Technical Specifications

Housing Model	PP211.201	PP211.221	PP211.261	PP211.401	PP211.421	PP211.461
Port Size	1/4" NPT	1/4" NPT	1/4" NPT	1/2" NPT	1/2" NPT	1/2" NPT
Drain	None	1/4" NPT	Manual	None	1/4" NPT	Manual
Maximum Pressure, Bar	7	7	7	7	7	7
Maximum Temperature, °C	50	50	50	50	50	50
Materials of Construction (1)						
Head, Bowl & Internals	PP	PP	PP	PP	PP	PP
Seals (2)	Viton	Viton	Viton	Viton	Viton	Viton
Filter Element Code (3)	25.64.□	25.64.□	25.64.□	25.64.□	25.64.□	25.64.□
Adsorber Cartridge Code (4)	25.64.AT□	25.64.AT□	25.64.AT□	25.64.AT□	25.64.AT□	25.64.AT□
Principal Dimensions in mm						
Diameter	65	65	65	65	65	65
Height	147	147	159	147	147	159
Volume, cc	145	145	145	145	145	145
Weight, kg	0.2	0.2	0.2	0.2	0.2	0.2
Accessories						
Mounting Bracket	MBSS21	MBSS21	MBSS21	MBSS21	MBSS21	MBSS21

Notes

(1) Material abbreviations, PP = Polypropylene

(2) Add suffix for other seal types, Chemraz = .C, Nitrile = N, Kalrez = .K, EPDM = .E, Silicone = .S, (e.g. PP211.221.E)

(3) Replace the □ with the grade required, e.g. 25.64.5CK, 25.64.T20

(4) Replace the □ with the type required, e.g. 25.64.AT01