



Process
pressure gauges

IMPP series



Ham-Let Industrial Mechanical
Pressure gauges



Ham-Let IMP gauges **P** Series

IMP**P** series data sheet:

General:

The Industrial, P - Process pressure gauge is a heavy duty pressure gauge with special thermoplastic safety case for process industries, chemical, petro-chemical, gas and oil, power plant application with accordance to the ASME B40.1 standard.

The reinforced thermoplastic case and stainless steel wetted parts make the P pressure gauge suitable of service in corrosive areas and with aggressive media while maintaining the long life and durability for indoor and outdoor process applications.

The safety pattern case has a break-proof solid front (firm partition between the pressure element and the window) and a pressure relief back (blow-out back).

The P series pressure gauge is a bourdon tube mechanical devices, of case sizes 4½" (115 mm), suitable for vacuum to pressure up to 1000bar (15,000psi).

Features:

- Thermoplastic case with back mounting design.
- Stainless steel wetted parts.
- Adjustable pointer (Micro pointer) for easy adjustment.
- Break-proof solid front case with blow-out back.
- Safety laminated glass front.
- Case is filled or fillable.
- Case protection: IP 65.
- Compliance to ASME B40.1 standard grade 2A .
- Fire retardant and impact resistance according UL 94 V0.

Measuring ranges



- Vacuum: 30" Hg Vac. to 0 psi (-1 to 0 bar)
- Compound: 30" Hg Vac. through 0 to 300 psi (-1 through 0 to 15 bar)
- Pressure: 0 to 15,000 psi (0 to 1,000 bar).



Materials Of Construction

Part		Material
Wetted Parts:	Process connection	SS 316L
	Bourdon tube	
Case		Thermoplastic PBTP Black
Window		Laminated safety glass
Movement		Stainless Steel
Dial		Aluminum (black figures, white background)
Pointer		Aluminum (black)

Technical Data P Series

Case Size		4½" (115 mm)
Accuracy	Up to 15,000psi (1000 bar) (2)	±0.5% of span EN 837-1 Class 1.0 ASME B40.1 Grade 2A
Case Configurations	Process connection position	
	Built in Mounting	
Process Connection	½", 12mm Tube adapter	+
	½" BSP-P/NPT	+
	¼" BSP-P/NPT	+
Blow-Out Device	Blow-out back	+
Compensation Diaphragm	By blow-out device / Plug	+
	Internal Elastomer	+
Weight (1) Pound (Kg.)	Unfilled	1.88 (0.85)
	Filled	2.76 (1.25)

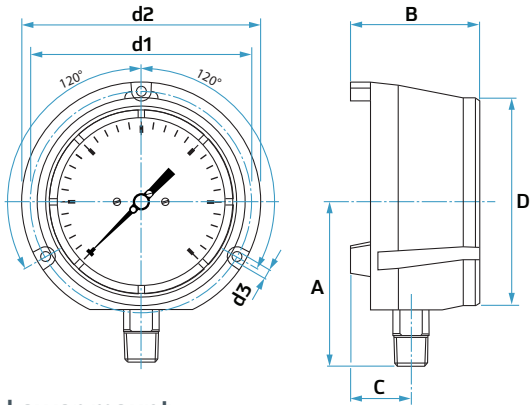
(1) Approx. without mounting device

(2) See Maximal pressure per connection type, page 6



Ham-Let IMP gauges **P** Series

Configuration And Mounting Dimensions



Lower mount

Case Size		A		B		C		D		d1		d2		d3	
mm	inch	mm	inch	mm	inch	mm	inch	mm	inch	mm	inch	mm	inch	mm	inch
115	4 1/2	102	4.02	80	3.15	37.5	1.48	129	5.08	137	5.39	148	5.83	6.1	0.24