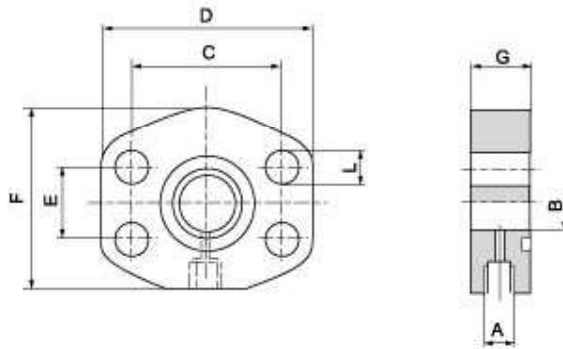


## SAE J 518 C 61/62 Flanges

SAE - adapter flange with test point

**SAAGL**



Maximum recommended working pressure kg/cm <sup>2</sup>	Nominal flange size, in	Type	Dimensions								Weight kg	
			A	B	C	D	E	F	G	L		
		<b>Standard Pressure</b>										
350	½"	SAAGL 308	G ½"	12	38.10	55	17.48	38	24	9.0	0.45	
350	¾"	SAAGL 312	G ¾"	19	47.63	65	22.23	50	24	11.0	0.60	
350	1"	SAAGL 316	G 1"	24	52.37	70	26.19	50	24	11.0	0.60	
280	1 ¼"	SAAGL 320	G 1 ¼"	32	58.72	81	30.18	70	23	11.5	0.75	
210	1 ½"	SAAGL 324	G 1 ½"	38	69.85	95	35.71	78	24	13.5	0.80	
210	2"	SAAGL 332	G 2"	50	77.77	102	42.88	90	24	13.5	1.25	
		<b>High Pressure</b>										
420	½"	SAAGL 608	G ½"	12	40.49	55	18.24	38	24	9.0	0.45	
420	¾"	SAAGL 612	G ¾"	19	50.80	70	23.80	50	24	11.0	0.60	
420	1"	SAAGL 616	G 1"	24	57.15	81	27.76	70	23	12.5	0.75	
420	1 ¼"	SAAGL 620	G 1 ¼"	32	66.68	95	31.75	78	24	14.5	0.80	
420	1 ½"	SAAGL 624	G 1 ½"	38	79.38	112	36.50	94	24	17.0	1.40	
420	2"	SAAGL 632	G 2"	51	96.82	134	44.45	114	24	21.0	1.57	