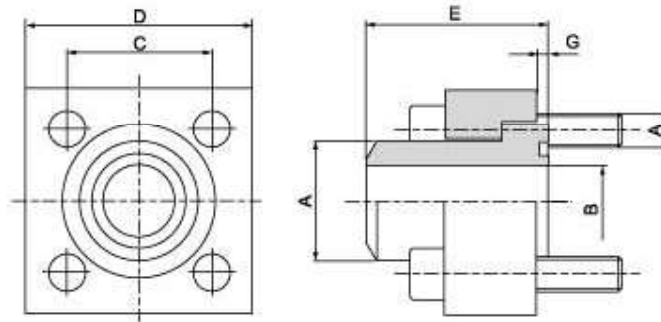


ISO 6164 Flanges

Cetop - square flange

SACET



Maximum recommended working pressure kg/cm ²	Nominal flange size, in	Type	Dimensions						Screws	Weight kg
			A	B	C	D	E	G	M	
Nominal pressure 250bar										
250	3/8"	SACET 2506	17.5	12.5	24.7	40	30	1.0	M 6 x 25	0.17
250	1/2"	SACET 2508	21.6	15	29.7	45	30	1.0	M 8 x 30	0.22
250	3/4"	SACET 2512	27.2	20	35.3	50	35	1.0	M 8 x 30	0.32
250	1"	SACET 2516	34.0	25	43.8	65	40	1.0	M 10 x 35	0.63
250	1 1/2"	SACET 2520	42.8	32	51.6	75	45	1.0	M 12 x 40	0.92
250	1 3/4"	SACET 2524	48.6	38	60.0	85	50	1.0	M 14 x 45	1.34
250	2"	SACET 2532	61.0	47	69.4	100	60	1.5	M 16 x 55	2.30
250	2 1/2"	SACET 2540	73.5	58	83.4	120	70	1.5	M 20 x 65	4.00
250	3"	SACET 2548	90.5	70	102.5	140	80	1.5	M 20 x 75	6.03
250	3 1/2"	SACET 2556	103.0	80	102.5	140	90	1.5	M 20 x 90	7.56
250	4"	SACET 2564	115.0	90	113.2	160	105	1.5	M 24 x 100	10.96
Nominal pressure 400bar										
400	3/8"	SACET 4006	17.5	11	24.7	40	35	1.0	M 6 x 25	0.20
400	1/2"	SACET 4008	21.6	14	29.7	45	40	1.0	M 8 x 30	0.31
400	3/4"	SACET 4012	27.2	18	35.3	50	45	1.0	M 8 x 35	0.45
400	1"	SACET 4016	34.0	22	43.8	65	50	1.0	M 10 x 40	0.83
400	1 1/2"	SACET 4020	42.8	29	51.6	75	55	1.0	M 12 x 45	1.19
400	1 3/4"	SACET 4024	48.6	35	60.0	85	60	1.0	M 14 x 55	1.80
400	2"	SACET 4032	61.0	43	69.4	100	70	1.5	M 16 x 65	3.08
400	2 1/2"	SACET 4040	73.5	53	83.4	120	80	1.5	M 20 x 75	5.14
400	3"	SACET 4048	90.5	58	102.5	140	90	1.5	M 24 x 90	7.34
400	3 1/2"	SACET 4056	103.0	63	102.5	140	95	1.5	M 24 x 90	8.09
400	4"	SACET 4064	115.0	74	113.2	160	105	1.5	M 24 x 100	12.75