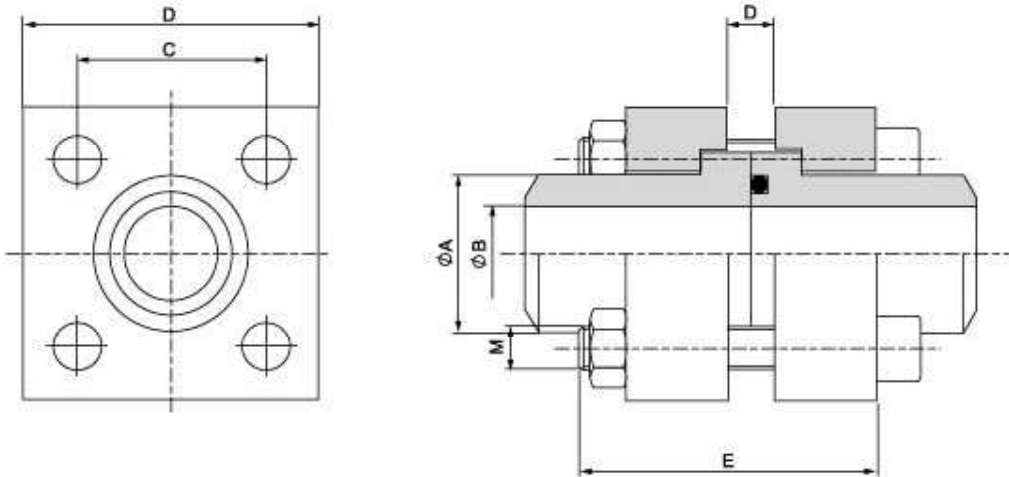


ISO 6164 Flanges

Cetop - square flange connection

SADCET



Maximum recommended working pressure kg/cm ²	Nominal flange size, in	Type	Dimensions						Screws	Weight kg
			A	B	C	D	E	G		
		Nominal pressure 250bar								
250	½"	SADCET 2506	17.5	12.5	24.7	40	60	2.0	M 6 x 45	0.42
250	½"	SADCET 2508	21.6	15	29.7	45	60	2.0	M 8 x 50	0.52
250	¾"	SADCET 2512	27.2	20	35.3	50	70	2.0	M 8 x 55	0.68
250	1"	SADCET 2516	34.0	25	43.8	65	80	2.0	M 10 x 65	1.30
250	1½"	SADCET 2520	42.8	32	51.6	75	90	2.0	M 12 x 75	1.98
250	1½"	SADCET 2524	48.6	38	60.0	85	100	2.0	M 14 x 90	2.79
250	2"	SADCET 2532	61.0	47	69.4	100	120	3.0	M 16 x 100	4.67
250	2½"	SADCET 2540	73.5	58	83.4	120	140	3.0	M 20 x 110	7.96
250	3"	SADCET 2548	90.5	70	102.5	140	160	3.0	M 20 x 120	11.80
250	3½"	SADCET 2556	103.0	80	102.5	140	180	3.0	M 20 x 130	14.10
250	4"	SADCET	115.0	90	114.5	160	210	3.0	M 24 x 170	21.60
		High Pressure								
400	½"	SADCET 38 ST400	17.5	11	24.7	40	70	2.0	M 6 x 45	0.47
400	½"	SADCET 12 ST400	21.6	14	29.7	45	80	2.0	M 8 x 50	0.63
400	¾"	SADCET 34 ST400	27.2	18	35.2	50	90	2.0	M 8 x 55	0.90
400	1"	SADCET 1 ST400	34.0	22	43.8	65	100	2.0	M 10 x 65	1.73
400	1½"	SADCET114ST400	42.8	29	51.6	75	110	2.0	M 12 x 75	2.62
400	1½"	SADCET112ST400	48.6	35	60.0	85	120	2.0	M 14 x 90	3.76
400	2"	SADCET 2 ST400	61.0	43	69.4	100	140	3.0	M 16 x 100	6.40
400	2½"	SADCET212ST400	73.5	53	83.4	120	160	3.0	M 20 x 130	10.50
400	3"	SADCET 3 ST400	90.5	58	102.5	160	180	3.0	M 24 x 130	16.40
400	3½"	SADCET312ST400	103.0	63	113.1	160	190	3.0	M 24 x 150	16.70
400	4"	SADCET 4 ST400	115.0	74	123.7	180	210	3.0	M 24 x 170	25.00