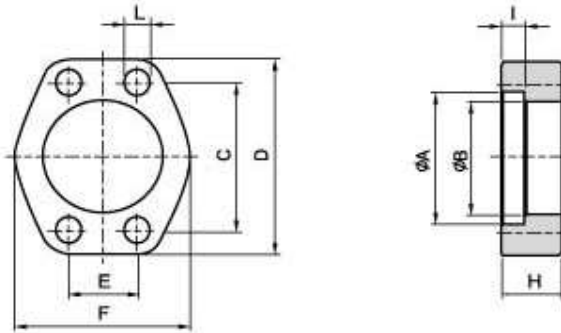


SAE J 518 C 61/62 Flanges

SAE - flange clamp - flat

SAEFGA



| Maximum recommended working pressure kg/cm ² | Nominal flange size, in | Type | Dimensions | | | | | | | | | Screws | | Weight kg |
|--|-------------------------|--------------|------------|--------|--------|-----|-------|-------|----|-------|------|-----------|--------|-----------|
| | | | A | B | C | D | E | F | H | I | L | Metr. | Unc | |
| Standard Pressure | | | | | | | | | | | | | | |
| 350 | ½" | SAEFGA04-61 | 30.96 | 24.26 | 38.10 | 54 | 17.48 | 45.6 | 20 | 6.22 | 9.0 | M 8 x 35 | ⅝ x 1½ | 0.18 |
| 350 | ¾" | SAEFGA06-61 | 38.89 | 32.13 | 47.63 | 65 | 22.23 | 51.8 | 20 | 6.22 | 11.0 | M 10 x 35 | ⅝ x 1½ | 0.20 |
| 350 | 1" | SAEFGA08-61 | 45.24 | 38.48 | 52.37 | 70 | 26.19 | 58.4 | 22 | 7.49 | 11.0 | M 10 x 35 | ⅝ x 1½ | 0.26 |
| 420 | 1" | SAEFGA308-62 | 45.24 | 38.48 | 52.37 | 71 | 26.19 | 60.0 | 25 | 7.49 | 11.0 | M 10 x 45 | - | 0.52 |
| 280 | 1½" | SAEFGA10-61 | 51.59 | 43.69 | 58.72 | 79 | 30.18 | 72.6 | 22 | 7.49 | 11.5 | M 12 x 45 | ⅝ x 1½ | 0.36 |
| 420 | 1½" | SAEFGA310-62 | 51.59 | 43.69 | 58.72 | 80 | 30.18 | 73.0 | 30 | 7.49 | 13.5 | M 12 x 50 | - | 0.77 |
| 280 | 1½" | SAEFGA12-61 | 61.09 | 50.80 | 69.85 | 94 | 35.71 | 82.2 | 25 | 7.49 | 13.5 | M 12 x 45 | ½ x 1½ | 0.54 |
| 420 | 1½" | SAEFGA312-62 | 61.09 | 50.80 | 69.85 | 95 | 35.71 | 83.0 | 33 | 7.49 | 13.5 | M 12 x 60 | - | 1.15 |
| 280 | 2" | SAEFGA16-61 | 72.24 | 62.74 | 77.77 | 102 | 42.88 | 96.4 | 30 | 9.02 | 13.5 | M 12 x 50 | ½ x 1½ | 0.80 |
| 420 | 2" | SAEFGA316-62 | 72.24 | 62.74 | 77.77 | 103 | 42.88 | 97.0 | 38 | 9.02 | 13.5 | M 12 x 70 | - | 1.66 |
| 210 | 2½" | SAEFGA20-61 | 84.94 | 74.93 | 88.90 | 114 | 50.80 | 108.2 | 36 | 9.02 | 13.5 | M 12 x 60 | ½ x 1½ | 0.89 |
| 420 | 2½" | SAEFGA320-62 | 84.94 | 74.93 | 88.90 | 114 | 50.80 | 108.2 | 45 | 9.02 | 14.5 | M 14 x 75 | - | 2.10 |
| 210 | 3" | SAEFGA24-61 | 102.39 | 90.93 | 106.38 | 135 | 61.93 | 130.6 | 41 | 9.02 | 17.0 | M 16 x 70 | ⅝ x 2 | 1.56 |
| 160 | 3½" | SAEFGA28-61 | 115.10 | 102.36 | 120.65 | 152 | 69.85 | 139.0 | 28 | 10.72 | 17.0 | M 16 x 50 | ⅝ x 2 | 1.80 |
| 160 | 4" | SAEFGA32-61 | 127.79 | 115.06 | 130.18 | 162 | 77.77 | 152.0 | 35 | 10.72 | 17.0 | M 16 x 60 | ⅝ x 2 | 1.98 |
| 35 | 5" | SAEFGA40-61 | 153.19 | 140.46 | 152.40 | 184 | 92.08 | 180.0 | 41 | 10.72 | 17.0 | M 16 x 70 | ⅝ x 2 | 3.00 |
| High Pressure | | | | | | | | | | | | | | |
| 420 | ½" | SAEFGA04-62 | 32.54 | 24.26 | 40.49 | 56 | 18.24 | 47.2 | 22 | 7.24 | 9.0 | M 8 x 35 | ⅝ x 1½ | 0.19 |
| 420 | ¾" | SAEFGA06-62 | 42.06 | 32.51 | 50.80 | 71 | 23.80 | 60.0 | 23 | 8.26 | 11.0 | M 10 x 40 | ⅝ x 1½ | 0.42 |
| 420 | 1" | SAEFGA08-62 | 48.41 | 38.86 | 57.15 | 81 | 27.76 | 69.9 | 25 | 9.02 | 12.5 | M 12 x 45 | - | 0.64 |
| 420 | 1½" | SAEFGA10-62 | 54.76 | 44.45 | 66.68 | 95 | 31.75 | 77.2 | 30 | 9.78 | 14.5 | M 14 x 50 | ½ x 1½ | 0.96 |
| 420 | 1½" | SAEFGA12-62 | 64.29 | 51.56 | 79.38 | 113 | 36.50 | 95.0 | 33 | 12.07 | 17.0 | M 16 x 60 | ⅝ x 2 | 1.62 |
| 420 | 2" | SAEFGA16-62 | 80.16 | 67.56 | 96.82 | 133 | 44.45 | 113.8 | 38 | 12.07 | 21.0 | M 20 x 70 | ⅝ x 2½ | 2.52 |
| 420 | 2½" | SAEFGA20-62 | 108.90 | 90.00 | 123.80 | 180 | 58.80 | 190.2 | 45 | 20.50 | 26.0 | M 24 x 75 | - | 4.92 |
| 420 | 3" | SAEFGA24-62 | 132.50 | 115.00 | 152.40 | 215 | 71.80 | 198.2 | 55 | 25.50 | 31.0 | M 30 x 90 | - | 10.32 |