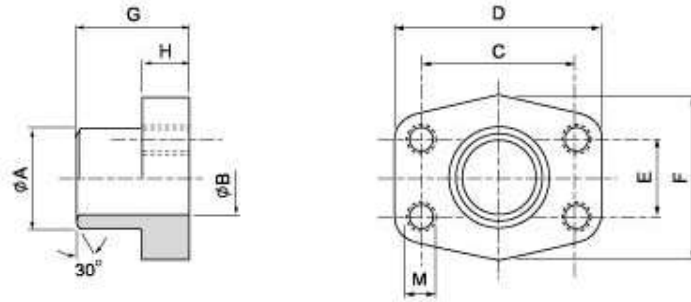


# SAE J 518 C 61/62 Flanges

SAE - weld on flange - companion

## SAGFS - BW



| Maximum recommended working pressure kg/cm <sup>2</sup> | Nominal flange size, in | Type             | Dimensions |     |        |     |       |     |    |    | Screws |     | Weight kg |
|---|-------------------------|------------------|------------|-----|--------|-----|-------|-----|----|----|--------|-----|-----------|
|   |                         |                  | A          | B   | C      | D   | E     | F   | G  | H  | M      |     |           |
|   |                         |                  |            |     |        |     |       |     |    |    | metr.  | unc |           |
| <b>Standard Pressure</b>                                |                         |                  |            |     |        |     |       |     |    |    |        |     |           |
| 350   | ½"                      | SAGFS 308-08 BBW | 21.6       | 14  | 38.10  | 54  | 17.48 | 46  | 36 | 16 | M 8    | ⅜   | 0.25      |
| 350   | ¾"                      | SAGFS 312-12 BBW | 27.2       | 19  | 47.63  | 65  | 22.23 | 50  | 36 | 18 | M 10   | ⅜   | 0.39      |
| 350   | 1"                      | SAGFS 316-16 BBW | 34.0       | 24  | 52.37  | 70  | 26.19 | 55  | 38 | 18 | M 10   | ⅜   | 0.46      |
| 280   | 1½"                     | SAGFS 320-20 BBW | 42.8       | 32  | 58.72  | 79  | 30.18 | 68  | 41 | 21 | M 10   | ⅞   | 0.66      |
| 210   | 1½"                     | SAGFS 324-24 BBW | 48.6       | 38  | 69.85  | 93  | 35.71 | 78  | 45 | 25 | M 12   | ½   | 1.05      |
| 210   | 2"                      | SAGFS 332-32 BBW | 61.0       | 49  | 77.77  | 102 | 42.88 | 90  | 45 | 25 | M 12   | ½   | 1.19      |
| 175   | 2½"                     | SAGFS 340-40 BBW | 73.5       | 59  | 88.90  | 114 | 50.80 | 105 | 50 | 25 | M 12   | ½   | 1.40      |
| 140   | 3"                      | SAGFS 348-48 BBW | 90.5       | 74  | 106.38 | 134 | 61.93 | 124 | 50 | 27 | M 16   | ⅝   | 2.15      |
| 35  | 3½"                     | SAGFS 356-56 BBW | 103.0      | 85  | 120.65 | 152 | 69.85 | 136 | 48 | 27 | M 16   | ⅝   | 2.40      |
| 35  | 4"                      | SAGFS 364-64 BBW | 115.0      | 97  | 130.18 | 162 | 77.77 | 146 | 48 | 27 | M 16   | ⅝   | 2.85      |
| 35  | 5"                      | SAGFS 380-80 BBW | 143.0      | 122 | 152.40 | 184 | 92.08 | 180 | 50 | 28 | M 16   | ⅝   | 5.20      |
| <b>High Pressure</b>                                    |                         |                  |            |     |        |     |       |     |    |    |        |     |           |
| 420   | ½"                      | SAGFS 608-08 CBW | 21.5       | 12  | 40.49  | 54  | 18.24 | 46  | 36 | 16 | M 8    | ⅜   | 0.26      |
| 420   | ¾"                      | SAGFS 612-12 CBW | 27.2       | 16  | 50.80  | 71  | 23.80 | 55  | 35 | 21 | M 10   | ⅜   | 0.50      |
| 420   | 1"                      | SAGFS 616-16 CBW | 34.0       | 21  | 57.15  | 79  | 27.76 | 68  | 41 | 21 | M 12   | ⅞   | 0.76      |
| 420   | 1½"                     | SAGFS 620-20 CBW | 42.8       | 29  | 66.68  | 93  | 31.75 | 78  | 44 | 25 | M 14   | ½   | 1.20      |
| 420   | 1½"                     | SAGFS 624-24 CBW | 48.6       | 34  | 79.38  | 112 | 36.50 | 94  | 55 | 30 | M 16   | ⅝   | 1.65      |
| 420   | 2"                      | SAGFS 632-32 CBW | 61.0       | 43  | 96.82  | 134 | 44.45 | 114 | 65 | 37 | M 20   | ⅜   | 2.45      |
| 420   | 2½"                     | SAGFS 640-40 CBW | 73.5       | 54  | 123.80 | 180 | 58.70 | 152 | 80 | 45 | M 24   | -   | 6.40      |