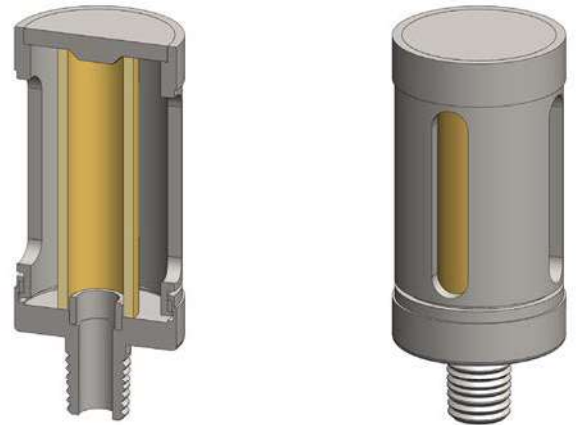


Materials 316L Stainless Steel
Ports 1/8" to 1/4"
Element 12.32.□ to 25.64.□

The SE series filter housings are constructed entirely from 316L stainless steel and supplied with a range of port sizes.

The element is enclosed for protection and the housings are suitable for gas and liquid end of line applications.

These housings have NPT ports as standard.



Technical Specifications

| Housing Model | SE110.101 | SE110.201 | SE120.101 | SE120.201 | SE210.201 | SE210.401 |
|--------------------------------------|-----------|-----------|-----------|-----------|-----------|-----------|
| Port Size | 1/8" NPT | 1/4" NPT | 1/8" NPT | 1/4" NPT | 1/4" NPT | 1/2" NPT |
| Maximum Temperature, °C | 200 | 200 | 200 | 200 | 200 | 200 |
| Materials of Construction (1) | | | | | | |
| Head & Body | 316L | 316L | 316L | 316L | 316L | 316L |
| Filter Element Code | 12.32.□ | 12.32.□ | 12.57.□ | 12.57.□ | 25.64.□ | 25.64.□ |
| Adsorber Cartridge Code | 12.32.AD□ | 12.32.AD□ | 12.57.AD□ | 12.57.AD□ | 25.64.AD□ | 25.64.AD□ |
| Principal Dimensions in mm | | | | | | |
| Diameter | 36 | 36 | 36 | 36 | 48 | 48 |
| Height | 38 | 38 | 63 | 63 | 71 | 71 |
| Weight, kg | 0.15 | 0.15 | 0.2 | 0.2 | 0.4 | 0.4 |

Notes

(1) Material abbreviations, 316L = 316L Stainless Steel

(2) Replace the □ with the grade required, e.g. 12.32.5K, 12.32.S20V, 12.32.T20