

SG121 & SS122 Filter Housing

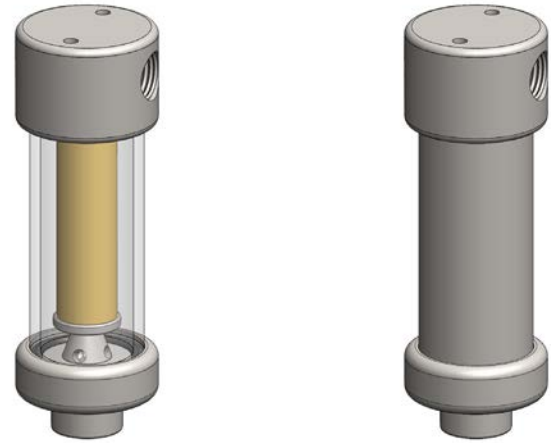
Materials	316L SS & Pyrex Glass
Pressure	7 & 10 Bar
Ports	1/8" or 1/4"
Element	12.57.□

SG121 and SS122 series filter housings are specified for 1/8" & 1/4" line size applications at low pressure. For applications over 10 Bar the SS127 housings are available. The housings are constructed from 316L stainless steel with a stainless steel or Pyrex glass bowl. The Pyrex bowl is also fitted with a bowl guard, this is not shown.

Standard housings have NPT ports and Viton seals. Other seal types are available as an option. BSPT and BSPP port types are also available.

The housings are free from welds and comply with NACE MR-01-75 and conform to SEP of PED 97/23/EC.

These housings can also be supplied in a wide range of exotic materials, such as Hastelloy, Monel, Titanium etc.



Bowl guard not shown

Technical Specifications

Housing Model	SG121.111	SG121.211	SG121.221	SS122.111	SS122.211	SS122.221
Port Size	1/8" NPT	1/4" NPT	1/4" NPT	1/8" NPT	1/4" NPT	1/4" NPT
Drain	1/8" NPT	1/8" NPT	1/4" NPT	1/8" NPT	1/8" NPT	1/4" NPT
Maximum Pressure, Bar (1)	7	7	7	10	10	10
Maximum Temperature, °C (2)	100	100	100	200	200	200
Materials of Construction (3)						
Head & Internals	316L SS	316L SS	316L SS	316L SS	316L SS	316L SS
Bowl	Pyrex	Pyrex	Pyrex	316L SS	316L SS	316L SS
Seals (4)	Viton	Viton	Viton	Viton	Viton	Viton
Filter Element Code (5)	12.57.□	12.57.□	12.57.□	12.57.□	12.57.□	12.57.□
Adsorber Cartridge Code (6)	12.57.AD□	12.57.AD□	12.57.AD□	12.57.AD□	12.57.AD□	12.57.AD□
Principal Dimensions in mm						
Diameter	40	40	40	40	40	40
Height	118.5	118.5	118.5	118.5	118.5	118.5
Volume, cc	45	45	45	45	45	45
Weight, kg	0.4	0.4	0.4	0.4	0.4	0.4
Accessories						
Support Core	SCSS12	SCSS12	SCSS12	SCSS12	SCSS12	SCSS12
Mounting Bracket	MBSS11	MBSS11	MBSS11	MBSS11	MBSS11	MBSS11

Notes

- (1) Above 200°C the pressure rating is reduced, consult us for the exact rating at any specific temperature (not SG types)
- (2) Maximum temperature is with standard seals. For temperatures up to 324°C use Chemraz seals
- (3) Material abbreviations, 316L SS = 316L Stainless Steel
- (4) Add suffix for other seal types, PTFE = .T, Chemraz = .C, Nitrile = N, Kalrez = .K, EPDM = .E, Silicone = .S, (e.g. SG121.221.T)
- (5) Replace the □ with the grade required, e.g. 12.57.5CK, 12.57.S20V, 12.57.T20
- (6) Replace the □ with the type required, e.g. 12.57.AD01