

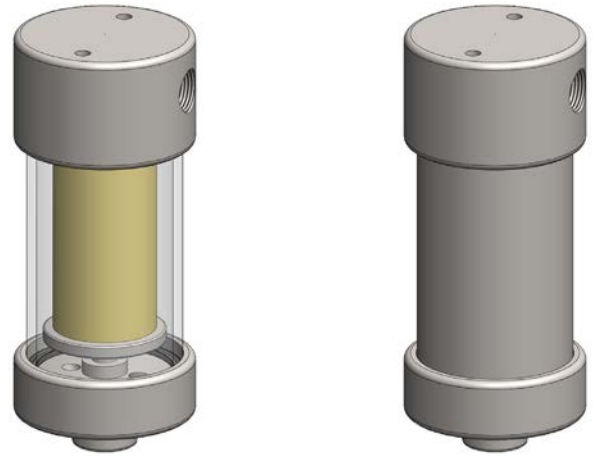
Materials 316L SS & Pyrex Glass
Pressure 7 & 10 Bar
Ports 1/4" or 1/2"
Element 25.64.□

SG211 and SS212 series filter housings are specified for 1/8" & 1/4" line size applications at low pressure. For applications over 10 Bar the SS215 housings are available. The housings are constructed from 316L stainless steel with a stainless steel or Pyrex glass bowl. The Pyrex bowl is also fitted with a bowl guard, this is not shown.

Standard housings have NPT ports and Viton seals. Other seal types are available as an option. BSPT and BSPP port types are also available.

The housings are free from welds and comply with NACE MR-01-75 and conform to SEP of PED 97/23/EC.

These housings can also be supplied in a wide range of exotic materials, such as Hastelloy, Monel, Titanium etc.



Bowl guard not shown

Technical Specifications

Housing Model	SG211.211	SG211.221	SG211.411	SG211.421	SS212.211	SS212.221	SS212.411	SS212.421
Port Size	1/4" NPT	1/4" NPT	1/2" NPT	1/2" NPT	1/4" NPT	1/4" NPT	1/2" NPT	1/2" NPT
Drain	1/8" NPT	1/4" NPT	1/8" NPT	1/4" NPT	1/8" NPT	1/4" NPT	1/8" NPT	1/4" NPT
Maximum Pressure, Bar (1)	7	7	7	7	10	10	10	10
Maximum Temperature, °C (2)	100	100	100	100	200	200	200	200
Materials of Construction (3)								
Head & Internals	316L SS	316L SS	316L SS	316L SS	316L SS	316L SS	316L SS	316L SS
Bowl	Pyrex	Pyrex	Pyrex	Pyrex	316L SS	316L SS	316L SS	316L SS
Seals (4)	Viton	Viton	Viton	Viton	Viton	Viton	Viton	Viton
Filter Element Code (5)	25.64.□	25.64.□	25.64.□	25.64.□	25.64.□	25.64.□	25.64.□	25.64.□
Adsorber Cartridge Code (6)	25.64.AD□	25.64.AD□	25.64.AD□	25.64.AD□	25.64.AD□	25.64.AD□	25.64.AD□	25.64.AD□
Principal Dimensions in mm								
Diameter	56	56	56	56	56	56	56	56
Height	132.5	132.5	132.5	132.5	132.5	132.5	132.5	132.5
Volume, cc	70	70	70	70	70	70	70	70
Weight, kg	1.1	1.1	1.1	1.1	1.2	1.2	1.2	1.2
Accessories								
Support Core	SCSS21	SCSS21	SCSS21	SCSS21	SCSS21	SCSS21	SCSS21	SCSS21
Mounting Bracket	MBSS21	MBSS21	MBSS21	MBSS21	MBSS21	MBSS21	MBSS21	MBSS21

Notes

- (1) Above 200°C the pressure rating is reduced, consult us for the exact rating at any specific temperature (not SG types)
- (2) Maximum temperature 200°C using standard seal. For temperatures up to 324°C use a Chemraz seal
- (3) Material abbreviations, 316L SS = 316L Stainless Steel
- (4) Add suffix for other seal types, PTFE = .T, Chemraz = .C, Nitrile = N, Kalrez = .K, EPDM = .E, Silicone = .S, (e.g. SG211.221.T)
- (5) Replace the □ with the grade required, e.g. 25.64.5CK, 25.64.S20V, 25.64.T20
- (6) Replace the □ with the type required, e.g. 25.64.AD01