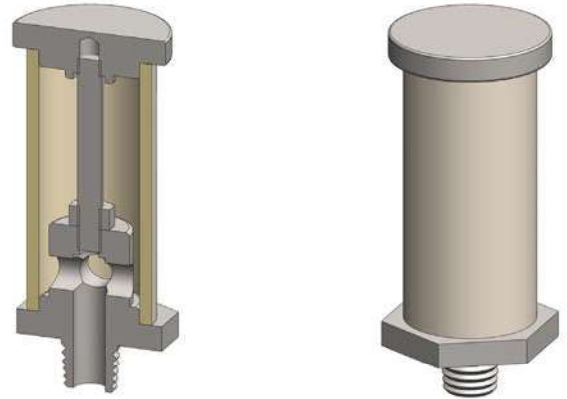


**Materials** 316L Stainless Steel  
**Ports** 1/8" to 1/2"  
**Element** 12.32.□ to 25.64.□

The SO series filter housings are constructed entirely from 316L stainless steel and are supplied with a range of connections.

The housings are suitable for gas and liquid end of line applications.

These housings have NPT male ports as standard.



### Technical Specifications

| Housing Model                        | SO110.101 | SO110.201 | SO120.101 | SO120.201 | SO210.201 | SO210.401 | SO230.201  | SO230.401  |
|--------------------------------------|-----------|-----------|-----------|-----------|-----------|-----------|------------|------------|
| Port Size                            | 1/8" NPT  | 1/4" NPT  | 1/8" NPT  | 1/4" NPT  | 1/4" NPT  | 1/2" NPT  | 1/4" NPT   | 1/2" NPT   |
| Maximum Temperature, °C              | 200       | 200       | 200       | 200       | 200       | 200       | 200        | 200        |
| <b>Materials of Construction (1)</b> |           |           |           |           |           |           |            |            |
| Head & Body                          | 316L      | 316L      | 316L      | 316L      | 316L      | 316L      | 316L       | 316L       |
| Filter Element Code (3)              | 12.32.□   | 12.32.□   | 12.57.□   | 12.57.□   | 25.64.□   | 25.64.□   | 25.178.□   | 25.178.□   |
| Adsorber Cartridge Code (4)          | 12.32.AD□ | 12.32.AD□ | 12.57.AD□ | 12.57.AD□ | 25.64.AD□ | 25.64.AD□ | 25.178.AD□ | 25.178.AD□ |
| <b>Principal Dimensions in mm</b>    |           |           |           |           |           |           |            |            |
| Diameter                             | 19        | 19        | 19        | 19        | 38        | 38        | 38         | 38         |
| Height                               | 40        | 40        | 65        | 65        | 76        | 76        | 190        | 190        |
| Weight, kg                           | 0.1       | 0.1       | 0.1       | 0.1       | 0.15      | 0.15      | 0.17       | 0.17       |

#### Notes

(1) Material abbreviations, 316L Stainless Steel

(2) Replace the □ with the grade required, e.g. 12.32.5CK, 12.32.S20V, 12.32.T20