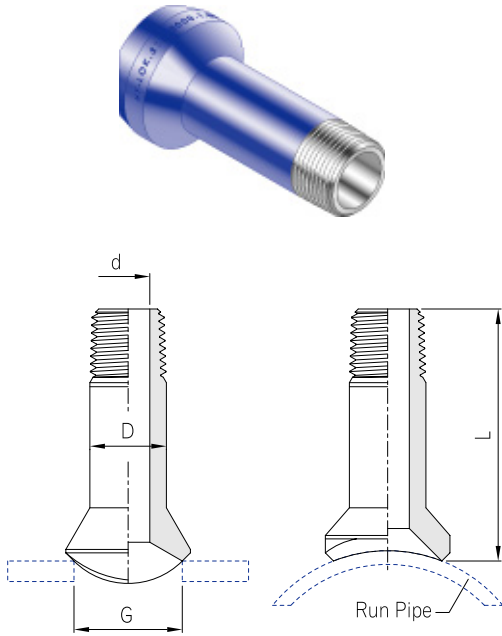
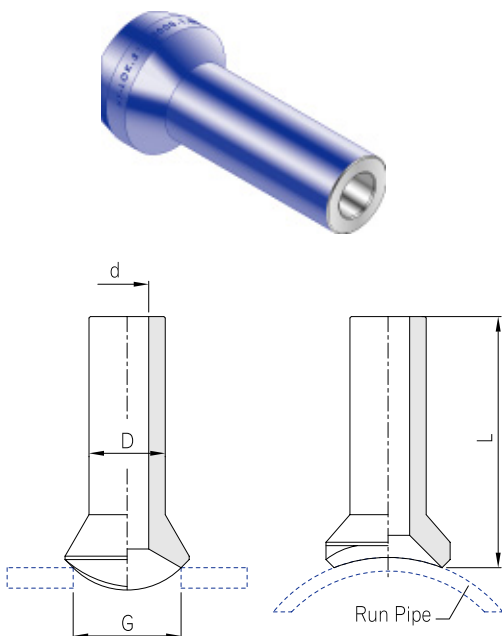


Nipple Outlet SNOL



| Nom. Pipe Size | DN | Run Pipe Size | L | G | d | D |
|----------------|----|---------------|------|------|------|------|
| 1/2 | 15 | 36~ 3/4 | 88.9 | 23.9 | 14.0 | 21.3 |
| 3/4 | 20 | 36~ 1 | 88.9 | 30.2 | 18.8 | 26.7 |
| 1 | 25 | 36~1 1/4 | 88.9 | 36.6 | 24.4 | 33.3 |
| 1 1/4 | 32 | 36~1 1/2 | 88.9 | 44.5 | 32.5 | 42.2 |
| 1 1/2 | 40 | 36~ 2 | 88.9 | 50.8 | 38.1 | 48.3 |
| 2 | 50 | 36~2 1/2 | 88.9 | 65.0 | 49.3 | 60.5 |

Plain Nipple Outlet SPOL



| Nom. Pipe Size | DN | Run Pipe Size | L | G | d | D |
|----------------|----|---------------|------|------|------|------|
| 1/2 | 15 | 36~3/4 | 88.9 | 23.9 | 14.0 | 21.3 |
| 3/4 | 20 | 36~ 1 | 88.9 | 30.2 | 18.8 | 26.7 |
| 1 | 25 | 36~1 1/4 | 88.9 | 36.6 | 24.4 | 33.3 |
| 1 1/4 | 32 | 36~1 1/2 | 88.9 | 44.5 | 32.5 | 42.2 |
| 1 1/2 | 40 | 36~ 2 | 88.9 | 50.8 | 38.1 | 48.3 |
| 2 | 50 | 36~2 1/2 | 88.9 | 65.0 | 49.3 | 60.5 |

Note : XX is Run Pipe Sizes

All dimensions are in millimeters.