

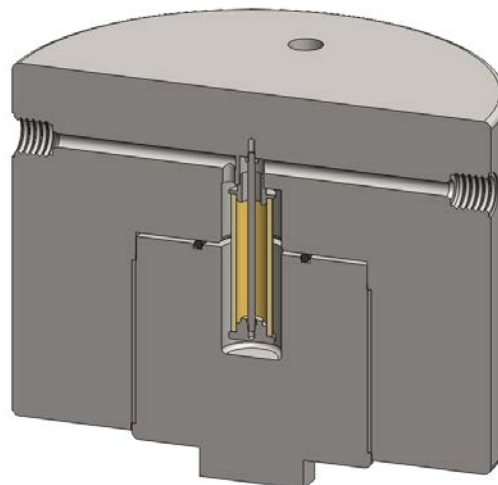
<b>Materials</b>	<b>316L Stainless Steel</b>
<b>Pressure</b>	<b>1400 Bar</b>
<b>Ports</b>	<b>1/4" &amp; 3/8" C &amp; T</b>
<b>Element</b>	<b>12.57.□</b>

SS1211 series filter housings are specified for applications up to 1350 Bar. For applications less than 1400 Bar see the SS127, SS129 and SS1210 series housings.

Standard housings have 1/4" & 3/8" coned and threaded ports and a Viton seal. Other port sizes and seal types are available as an option.

The housings are free from welds and comply with NACE MR-01-75 and are CE marked in accordance with PED 97/23/EC.

These housings can also be supplied in a wide range of exotic materials, such as Hastelloy, Monel, Titanium etc.



## Technical Specifications

Housing Model	SS1211.205	SS1211.225	SS1211.305	SS1211.335
Port Size (1)	1/4" C & T	1/4" C & T	3/8" C & T	3/8" C & T
Drain	None	1/4" C & T	None	3/8" C & T
Maximum Pressure, Bar (2)	1400	1400	1400	1400
Maximum Temperature, °C (3)	200	200	200	200
<b>Materials of Construction (4)</b>				
Head, Bowl & Internals	316L SS	316L SS	316L SS	316L SS
Seal (5)	Viton	Viton	Viton	Viton
Filter Element Code (6)	12.57.□	12.57.□	12.57.□	12.57.□
Adsorber Cartridge Code (7)	12.57.AS□	12.57.AS□	12.57.AS□	12.57.AS□
<b>Principal Dimensions in mm</b>				
Diameter	200	200	200	200
Height	165	165	165	165
Volume, cc	50	50	50	50
Weight, kg	37	37	37	37
<b>Accessories</b>				
Support Core	SCSS12	SCSS12	SCSS12	SCSS12
Mounting Bracket	MBSS428	MBSS428	MBSS428	MBSS428

### Notes

(1) C & T = Coned and Threaded connection

(2) Above 200°C the pressure rating is reduced, consult us for the exact rating at any specific temperature

(3) Maximum temperature 200°C using standard seal. For temperatures up to 324°C use a Chemraz seal

(4) Material abbreviations, 316L SS = 316L Stainless Steel

(5) Add suffix for other seal types, Chemraz = .C, Nitrile = .N, Kalrez = .K, EPDM = .E, Silicone = .S, (e.g. SS1211.221.E)

(6) Replace the □ with the grade required, e.g. 12.57.5CK, 12.57.S20V, 12.57.T20

(7) Replace the □ with the type required, e.g. 12.57.AS01