

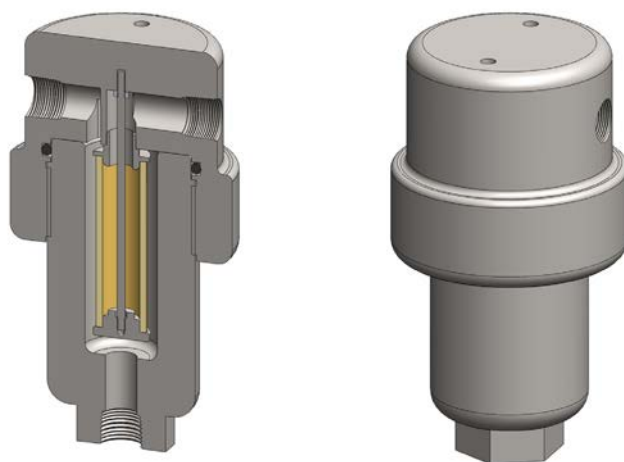
| | |
|------------------|-----------------------------|
| Materials | 316L Stainless Steel |
| Pressure | 700 Bar |
| Ports | 1/8" or 1/4" |
| Element | 12.57.□ |

SS129 series filter housings are specified for 1/8" & 1/4" line size applications up to 700 Bar where the flow rate or contamination is higher, or where service intervals must be kept as long as possible. SS119 series housings should be considered for applications where response time is critical. For applications less than 340 Bar see the SS127 series housings.

Standard housings have NPT ports and a Viton seal. Other seal types are available as an option. BSPT and BSPP port types are also available.

The housings are free from welds and comply with NACE MR-01-75 and are CE marked in accordance with PED 97/23/EC.

These housings can also be supplied in a wide range of exotic materials, such as Hastelloy, Monel, Titanium etc.



Technical Specifications

| Housing Model | SS129.101 | SS129.111 | SS129.201 | SS129.221 |
|--------------------------------------|-----------|-----------|-----------|-----------|
| Port Size | 1/8" NPT | 1/8" NPT | 1/4" NPT | 1/4" NPT |
| Drain | None | 1/8" NPT | None | 1/4" NPT |
| Maximum Pressure, Bar (1) | 700 | 700 | 700 | 700 |
| Maximum Temperature, °C (2) | 200 | 200 | 200 | 200 |
| Materials of Construction (3) | | | | |
| Head, Bowl & Internals | 316L SS | 316L SS | 316L SS | 316L SS |
| Seal (4) | Viton | Viton | Viton | Viton |
| Filter Element Code (5) | 12.57.□ | 12.57.□ | 12.57.□ | 12.57.□ |
| Adsorber Cartridge Code (6) | 12.57.AS□ | 12.57.AS□ | 12.57.AS□ | 12.57.AS□ |
| Principal Dimensions in mm | | | | |
| Diameter | 65 | 65 | 65 | 65 |
| Height | 135 | 135 | 135 | 135 |
| Volume, cc | 40 | 40 | 40 | 40 |
| Weight, kg | 2.75 | 2.75 | 2.75 | 2.75 |
| Accessories | | | | |
| Support Core | SCSS12 | SCSS12 | SCSS12 | SCSS12 |
| Mounting Bracket | MBSS21 | MBSS21 | MBSS21 | MBSS21 |

Notes

- (1) Above 200°C the pressure rating is reduced, consult us for the exact rating at any specific temperature
- (2) Maximum temperature 200°C using standard seal. For temperatures up to 324°C use a Chemraz seal
- (3) Material abbreviations, 316L SS = 316L Stainless Steel
- (4) Add suffix for other seal types, PTFE = .T, Chemraz = .C, Nitrile = N, Kalrez = .K, EPDM = .E, Silicone = .S, (e.g. SS129.221.T)
- (5) Replace the □ with the grade required, e.g. 12.57.5CK, 12.57.S20V, 12.57.T20
- (6) Replace the □ with the type required, e.g. 12.57.AS01