

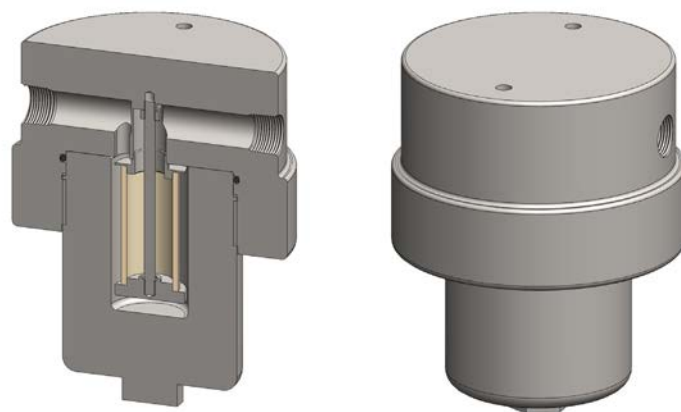
Materials	316L Stainless Steel
Pressure	700 Bar
Ports	1/4" or 1/2"
Element	25.64.□

SS219 series filter housings are specified for 700 Bar 1/4" line size applications and for 1/2" applications where response time must be kept short. If the flow rate or contamination is high, or where service intervals must be kept as long as possible, SS239 series housings should be considered. For applications at lower pressures see the SS215, SS216, and SS218 series housings.

Standard housings have NPT ports and a Viton seal. Other seal types are available as an option. BSPT and BSPP port types are also available.

The housings are free from welds and comply with NACE MR-01-75 and are CE marked in accordance with PED 97/23/EC.

These housings can also be supplied in a wide range of exotic materials, such as Hastelloy, Monel, Titanium etc.



Technical Specifications

Housing Model	SS219.201	SS219.221	SS219.401	SS219.421	SS219.441
Port Size	1/4" NPT	1/4" NPT	1/2" NPT	1/2" NPT	1/2" NPT
Drain	None	1/4" NPT	None	1/4" NPT	1/2" NPT
Maximum Pressure, Bar (1)	700	700	700	700	700
Maximum Temperature, °C (2)	200	200	200	200	200
Materials of Construction (3)					
Head, Bowl & Internals	316L SS	316L SS	316L SS	316L SS	316L SS
Seal (4)	Viton	Viton	Viton	Viton	Viton
Filter Element Code (5)	25.64.□	25.64.□	25.64.□	25.64.□	25.64.□
Adsorber Cartridge Code (6)	25.64.AD□	25.64.AD□	25.64.AD□	25.64.AD□	25.64.AD□
Principal Dimensions in mm					
Diameter	140	140	140	140	140
Height	186.5	186.5	186.5	186.5	186.5
Volume, cc	175	175	175	175	175
Weight, kg	16.2	16.2	16.2	16.2	16.2
Accessories					
Support Core	SCSS21	SCSS21	SCSS21	SCSS21	SCSS21
Mounting Bracket	MBSS219	MBSS219	MBSS219	MBSS219	MBSS219

Notes

- (1) Above 200°C the pressure rating is reduced, consult us for the exact rating at any specific temperature
- (2) Maximum temperature 200°C using standard seal. For temperatures up to 324°C use a Chemraz seal
- (3) Material abbreviations, 316L SS = 316L Stainless Steel
- (4) Add suffix for other seal types, PTFE = .T, Chemraz = .C, Nitrile = N, Kalrez = .K, EPDM = .E, Silicone = .S, (e.g. SS219.221.T)
- (5) Replace the □ with the grade required, e.g. 25.64.5CK, 25.64.S20V, 25.64.T20
- (6) Replace the □ with the type required, e.g. 25.64.AD01