

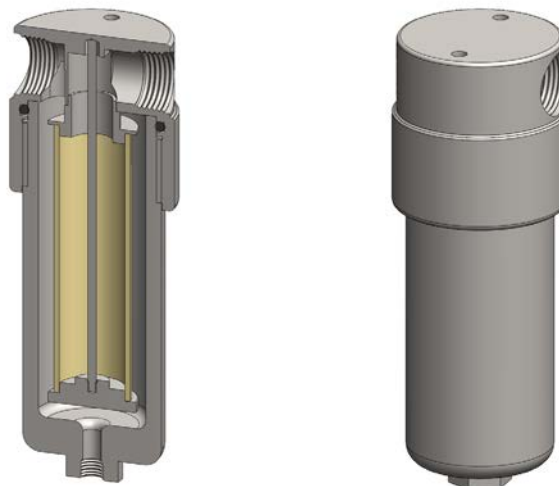
Materials 316L Stainless Steel
Pressure 200 Bar
Ports 3/4" or 1"
Element 38.152.□

SS326 series filter housings are specified for 200 Bar 3/4" and 1" line size applications. For applications less than 100 Bar see the SS325 series and for over 200 Bar see the SS328 series.

Standard housings have NPT ports and a Viton seal. Other seal types are available as an option. BSPT and BSPP port types are also available.

The housings are free from welds and comply with NACE MR-01-75 and are CE marked in accordance with PED 97/23/EC.

These housings can also be supplied in a wide range of exotic materials, such as Hastelloy, Monel, Titanium etc.



Technical Specifications

| Housing Model | SS326.501 | SS326.521 | SS326.541 | SS326.601 | SS326.621 | SS326.641 |
|--------------------------------------|------------|------------|------------|------------|------------|------------|
| Port Size | 3/4" NPT | 3/4" NPT | 3/4" NPT | 1" NPT | 1" NPT | 1" NPT |
| Drain | None | 1/4" NPT | 1/2" NPT | None | 1/4" NPT | 1/2" NPT |
| Maximum Pressure, Bar (1) | 200 | 200 | 200 | 200 | 200 | 200 |
| Maximum Temperature, °C (2) | 200 | 200 | 200 | 200 | 200 | 200 |
| Materials of Construction (3) | | | | | | |
| Head, Bowl & Internals | 316L SS | 316L SS | 316L SS | 316L SS | 316L SS | 316L SS |
| Seal (4) | Viton | Viton | Viton | Viton | Viton | Viton |
| Filter Element Code (5) | 38.152.□ | 38.152.□ | 38.152.□ | 38.152.□ | 38.152.□ | 38.152.□ |
| Adsorber Cartridge Code (6) | 38.152.AD□ | 38.152.AD□ | 38.152.AD□ | 38.152.AD□ | 38.152.AD□ | 38.152.AD□ |
| Principal Dimensions in mm | | | | | | |
| Diameter | 90 | 90 | 90 | 90 | 90 | 90 |
| Height | 253 | 253 | 253 | 253 | 253 | 253 |
| Volume, cc | 670 | 670 | 670 | 670 | 670 | 670 |
| Weight, kg | 6.2 | 6.2 | 6.2 | 6.2 | 6.2 | 6.2 |
| Accessories | | | | | | |
| Support Core | SCSS32 | SCSS32 | SCSS32 | SCSS32 | SCSS32 | SCSS32 |
| Mounting Bracket | MBSS326 | MBSS326 | MBSS326 | MBSS326 | MBSS326 | MBSS326 |

Notes

- (1) Above 200°C the pressure rating is reduced, consult us for the exact rating at any specific temperature
- (2) Maximum temperature 200°C using standard seal. For temperatures up to 324°C use a Chemraz seal
- (3) Material abbreviations, 316L SS = 316L Stainless Steel
- (4) Add suffix for other seal types, PTFE = .T, Chemraz = .C, Nitrile = N, Kalrez = .K, EPDM = .E, Silicone = .S, (e.g. SS326.501.T)
- (5) Replace the □ with the grade required, e.g. 38.152.SCK, 38.152.S20V, 38.152.T20
- (6) Replace the □ with the type required, e.g. 38.152.AD01