

# SS425 & SHS425 Filter Housing

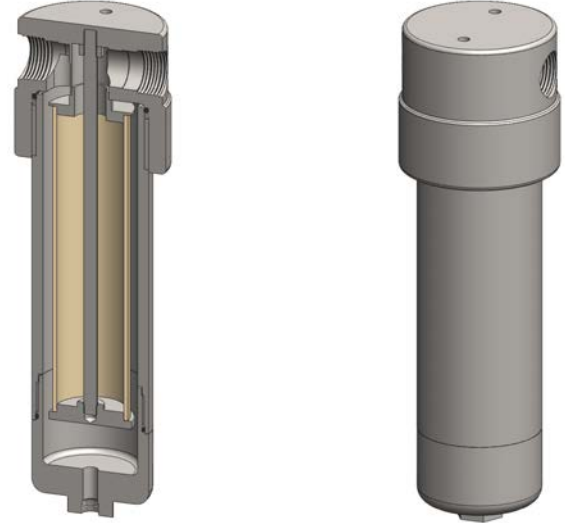
<b>Materials</b>	<b>316L Stainless Steel</b>
<b>Pressure</b>	<b>100 Bar</b>
<b>Ports</b>	<b>1" to 2"</b>
<b>Element</b>	<b>51.230.□</b>

SS425 series filter housings are specified for 1" line size applications up to 100 bar. The SHS425 series are for 1&1/2" and 2" applications and are designed to have a full bore flow path to give higher flow rates. For applications over 100 Bar high pressure versions are available, see the SS426 and SS428 filter housings.

Standard housings have NPT ports and Viton seals. Other seal types are available as an option. BSPT and BSPP port types are also available.

The housings are free from welds and comply with NACE MR-01-75 and are CE marked in accordance with PED 97/23/EC.

These housings can also be supplied in a wide range of exotic materials, such as Hastelloy, Monel, Titanium etc.



## Technical Specifications

Housing Model	SS425.621	SS425.641	SHS425.721	SHS425.741	SHS425.821	SHS425.841
Port Size	1" NPT	1" NPT	1&1/2" NPT	1&1/2" NPT	2" NPT	2" NPT
Drain	1/4" NPT	1/2" NPT	1/4" NPT	1/2" NPT	1/4" NPT	1/2" NPT
Maximum Pressure, Bar (1)	100	100	100	100	100	100
Maximum Temperature, °C (2)	200	200	200	200	200	200
<b>Materials of Construction (3)</b>						
Head, Bowl & Internals	316L SS	316L SS	316L SS	316L SS	316L SS	316L SS
Seal (4)	Viton	Viton	Viton	Viton	Viton	Viton
Filter Element Code (5)	51.230.□	51.230.□	51.230.□	51.230.□	51.230.□	51.230.□
Adsorber Cartridge Code (6)	51.230.AD□	51.230.AD□	51.230.AD□	51.230.AD□	51.230.AD□	51.230.AD□
<b>Principal Dimensions in mm</b>						
Diameter	110	110	180	180	180	180
Height	388	388	396	396	406	406
Volume, cc	1350	1350	1550	1550	1550	1550
Weight, kg	16	16	24.5	25.5	27.5	27.5
<b>Accessories</b>						
Support Core	SCSS42	SCSS42	SCSS42	SCSS42	SCSS42	SCSS42
Mounting Bracket	MBSS42	MBSS42	MBSHS42	MBSHS42	MBSHS42	MBSHS42

### Notes

(1) Above 200°C the pressure rating is reduced, consult us for the exact rating at any specific temperature

(2) Maximum temperature 200°C using standard seal. For temperatures up to 324°C use a Chemraz seal

(3) Material abbreviations, 316L SS = 316L Stainless Steel

(4) Add suffix for other seal types, Chemraz = .C, Nitrile = .N, Kalrez = .K, EPDM = .E, Silicone = .S, (e.g. SS425.621.N)

(5) Replace the □ with the grade required, e.g. 51.230.5CK, 51.230.S20V, 51.230.T20

(6) Replace the □ with the type required, e.g. 51.230.AD01