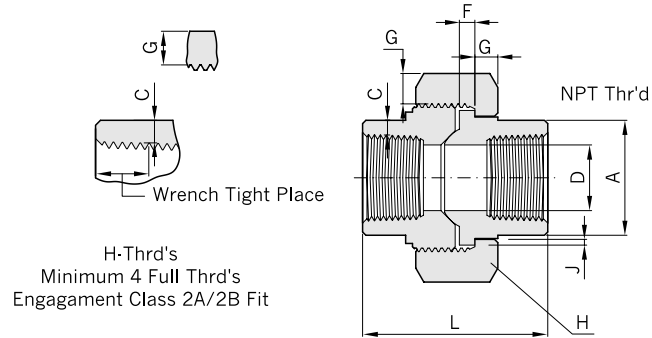
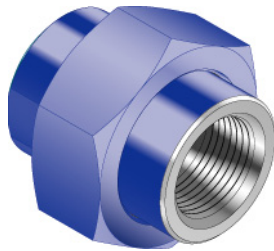


Pipe Fittings

Union SUR



MSS SP-83

Nom. Pipe Size	DN	Pipe End Min.	Socket Wall Min.	Water Way Bore	Male Flange Min.	Nut Min.	Bearing Min.	Length Assem. Normal	Width Flats
		A	C	D	F	G	J	L	H
1/8	6	21.8	3.17	6.83 6.43	3.17	3.17	1.24	41.4	HEX. 30.0
1/4	8	21.8	3.30	9.85 9.45	3.17	3.17	1.24	41.4	HEX. 36.0
3/8	10	25.9	3.48	13.92 13.51	3.43	3.43	1.37	46.0	HEX. 41.0
1/2	15	31.2	4.06	17.47 17.07	3.68	3.68	1.50	49.0	HEX. 46.0
3/4	20	37.1	4.27	21.79 21.39	4.06	4.06	1.68	56.9	HEX. 55.0
1	25	45.5	4.95	28.14 27.74	4.57	4.44	1.85	62.0	HEX. 60.0
1 1/4	32	54.9	5.28	35.76 35.36	5.33	5.21	2.13	71.1	OCT. 75.0
1 1/2	40	61.5	5.54	41.61 41.20	5.84	5.59	2.31	76.5	OCT. 85.0
2	50	75.2	6.05	52.53 52.12	6.60	6.35	2.69	86.1	OCT. 94.0

All dimensions are in millimeters.